

**VOGLAUER**

**U montanara**  
sleeping



**LIST OF TYPES**

(valid after 22022.09.01)

Please always indicate the following specifications:

**MODEL:** MS | Vmontanara sleeping

**WOOD:**



EG | Wild oak oiled

**GLASS/FRONT montegrey:**



M-PM | Glass panel



M-PH | Wood panel

**GLASS/FRONT optiwhite:**



O-PO | Glass panel



O-PH | Wood panel

**LIGHTING:**



Lighting wireless switch



Lighting with switch

**COVER MATERIALS:**

(please specify code and colour designation)

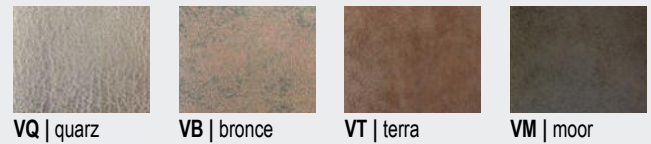
**LEATHER MONTAN:**



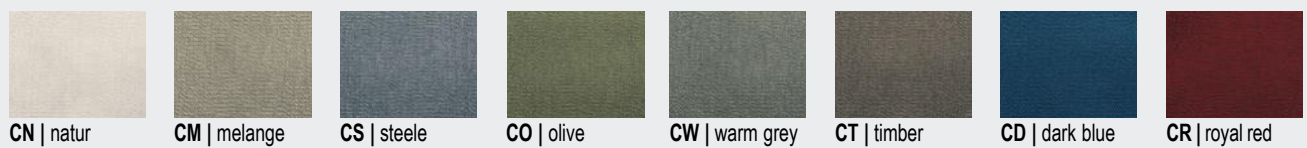
**LODEN:**



**VINTAGE:**

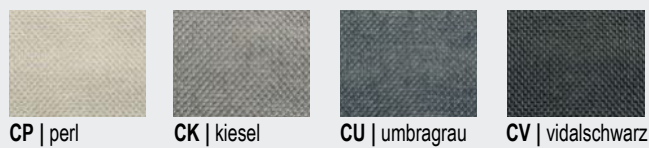


**CURL:**



CB | black

**CHALET:**



VOGLAUER - Zertifiziert & Ausgezeichnet

Voglauer Gschwandtner & Zwilling GmbH 5441 Abtenau - Austria FN 39238d Landesgericht Salzburg



Due to this register's publication all previous stated prices cease to be in force. Deviation in form, equipment, measure, colour as well as technical modifications and misprints reserved!

### Construction / loading capacities:

Beds:	coreboard in genuine wood veneer, solid wood			
Bed substructure:	for double beds (from 160 cm internal width) with solid wood support rail down the centre (adjustable in height to 4 levels)			
Carcase and shelves:	coreboard with genuine wood veneer			
Fronts:	coreboard veneered in genuine wood with solid wooden elements (clef-wood design), satin-finish coloured glass or bronze Parsol mirror			
Cover panels:	coreboard in genuine wood veneer (14 mm) or satin-finish coloured glass (8 mm)			
Drawers:	dovetailed solid wooden drawers (oak) with concealed, easy-action fully extending pull-out			
Door and drawer opening:	PUSH-ON automatic opening			

Loading capacities:	wooden shelves:	max. 15 kg	drawers up to 80 cm wide:	max. 10 kg
			drawers over 80 cm wide:	max. 25 kg

### Lighting (optional)

All lighting systems are permanently installed and wired into the furniture by VOGLAUER. Each illuminated element has its own control gear or transformer and a main power cable (approx. 2.5 m) with EURO plug.

Switching:	bed reading lights with touch sensor, bed glass panels with rocker switch
	Carcase interior lighting and vanity unit interior lighting with motion detector
	Hallway panels <ul style="list-style-type: none"> <li>• by internal miniature rocker switch - or</li> <li>• with wireless switch and dimmer (each furniture element is supplied with its own wireless transmitter handset - (several lights can be programmed to one handset at any later date)</li> </ul>

Power/consumption:	Bed reading light: 0.9 watts/pc., Carcase interior lighting: 20,9 Watt/Carcase
	COB LED strip with continuous phosphor layer: 5 watts/metre, LED glass channel (Q-Line): 7 watts/metre

Energy consumption labelling: The following applies to all VOGLAUER furniture with lighting: „This product contains a light source of **energy efficiency class F**“. The light sources and the associated control gear can only be replaced by qualified personnel.

### Wood-based materials - indoor climate:

Despite meticulous craftsmanship, wood is a living raw material that reacts to changes in humidity and adapts to the prevailing climate. This may unavoidably result in colour and texture variations, minor cracks, slight warping or open knots. An ideal indoor climate for furniture is between approx. 18-23 °C as well as 45-55 % humidity. To reduce warping or cracks to a minimum, solid wooden furniture should be exposed to the smallest possible fluctuations in temperature or humidity.

### Oiled wooden surfaces:

Our hard oil/wax combinations based on vegetable oil meet the highest environmental standards and are on a par with organic products. The oiled surface is breathable and improves the indoor climate. The surface is antistatic, i.e. dust and dirt-repellent.

**Care of oiled surface:** to maintain the value of oiled furniture from VOGLAUER, re-oiling is recommended every 6-8 months. Apply a thin coat of VOGLAUER care oil („care oil“ - see accessories) with a soft and non-lining cloth, rubbing evenly in the direction of the fibres. Afterwards, polish with a dry cotton cloth. The surface takes on a silky gloss and feels velvety soft.

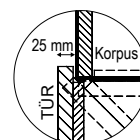
### Furniture cover materials:

- **Loden** fabric made of 100 % pure new wool
- **Vintage** fabric made of 100 % microfibre (PES)
- Sturdy soft **nappa cowhide** with scar pattern and distinctive mill grain.
- **Curl** fabric made of easy-care Q2-Hitex® yarns (74% PAN, 26 % PES)
- **Chalet** fabric made of easy-care Q2-Hitex® yarns (58% PAN, 42 % PES)

The production or processing of fabrics and leather involves many work steps which is why slight colour variations in the end product cannot be avoided. It is particularly important to bear this in mind when comparing samples and actual furniture. Puckering is a natural process and therefore no reflection of any reduction in quality. It results from using or stretching of cover materials.

### Important planning information:

- To ensure proper fulfilment of the contract, all structural conditions, obstructions, dimensions and loads must be identified when ascertaining what is required.
- Identify the preliminary electrical work that is required for wiring and for connecting appliances (freely suspended lighting systems require surface-mounted or concealed cable ducting solutions). Each illuminated element has a separate mains power cable (approx. 2.5 m) with EURO plug. The mains power connection for lighting (socket, cable outlet) can be provided in the entire rear panel area of cabinet furniture (rear-panel clearance approx. 23 mm).
- Door hinges are nickel-plated and adjustable in 3 directions. However, for exact door fit, it is essential for furniture to be standing on a level and even floor; unevenness can be corrected with the furniture wedges provided.
- All Chest of drawers with hinged doors can only be installed with a clearance from the wall (as shown in the drawing) on the hinge side because as a result of the way in which they are designed, the doors protrude to the side on opening them.
- All dimensions stated in the product guide are theoretical approximate dimensions and may diverge from actual dimensions, especially as a result of cumulative tolerances. Handle or other insignificant component projections are not included in the overall dimensions.



### Installing furniture

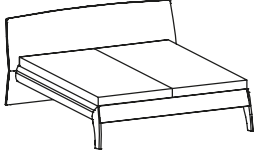
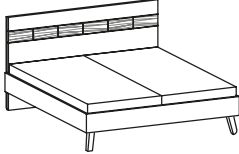
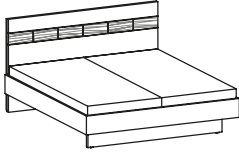
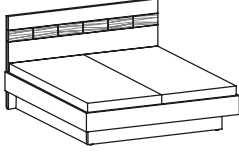
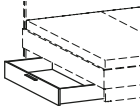
On account of the large doors and fully extending drawers, free-standing elements must also be fixed to the wall to prevent them from tipping forward. VOGLAUER supplies the appropriate mounting accessories for solid brickwork or masonry. For stud walls, specialist fitters must obtain suitable wall plugs screws themselves. VOGLAUER assumes no liability for installation!

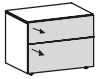
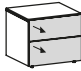
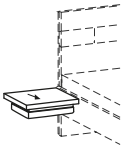
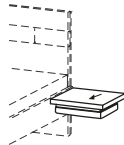

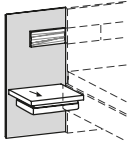
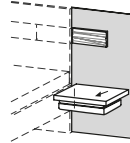
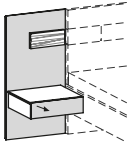
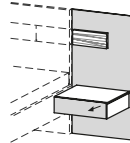
All furniture is assembled and customised by VOGLAUER at the factory. Bulky furniture can be dismantled for assembly purposes or is delivered in disassembled form. VOGLAUER supplies assembly drawings for furniture that is not assembled.

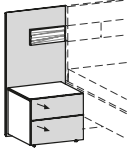
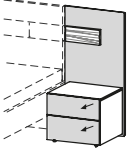
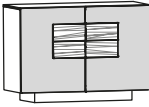
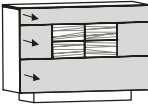
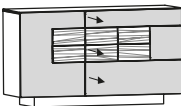
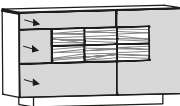
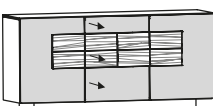
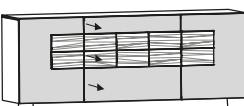
### VOGLAUER furniture quality certificate:

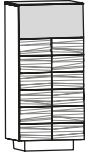
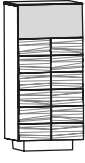
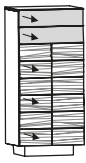
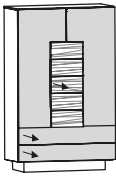





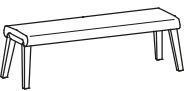
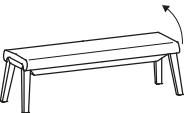
When buying VOGLAUER furniture, the VOGLAUER Furniture Quality Pass is handed over (online download: [www.voglauder.com](http://www.voglauder.com)). A comprehensive documentation specifying the 5-year warranty and containing many important information such as instructions for use and care.

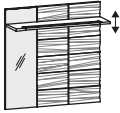
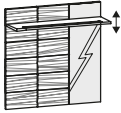
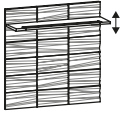
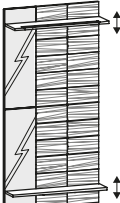
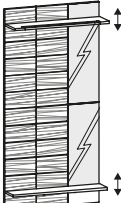





	Height to bed side top edge 47 cm, bed side width 18 cm Bed mattress height adjustable (approx. 32-42 cm) Max. bed inset width: internal width less 1.5 cm				
					
	W/D/H in cm: 163 / 226,5 / 100	W/D/H in cm: 183 / 226,5 / 100	W/D/H in cm: 203 / 226,5 / 100	W/D/H in cm: 223 / 226,5 / 100	
Description	Bed 140/200, curved headboard	Bed 160/200, curved headboard	Bed 180/200, curved headboard	Bed 200/200, curved headboard	
Item number	<b>MSB420G</b>	<b>MSB620G</b>	<b>MSB820G</b>	<b>MSB220G</b>	
Surcharge for 2 movable LED reading lights			(MS-L2)		
Surcharge bed inside length 210 cm			(MS-B21)		
Surcharge bed inside length 220 cm			(MS-B22)		
	Height to bed side top edge 42 cm, bed side width 22 cm Bed mattress height adjustable (approx. 24-36 cm) Max. bed inset width: internal width less 1.5 cm				
					
	W/D/H in cm: 145,5 / 213 / 105	W/D/H in cm: 165,5 / 213 / 105	W/D/H in cm: 185,5 / 213 / 105	W/D/H in cm: 205,5 / 213 / 105	
Description	Bed 140/200, headboard straight, leg	Bed 160/200, headboard straight, leg	Bed 180/200, headboard straight, leg	Bed 200/200, headboard straight, leg	
Item number	<b>MSB420HF</b>	<b>MSB620HF</b>	<b>MSB820HF</b>	<b>MSB220HF</b>	
Surcharge for 2 movable LED reading lights			(MS-L2) Not envisaged in combination with glass panel!		
Surcharge bed inside length 210 cm			(MS-B21)		
Surcharge bed inside length 220 cm			(MS-B22)		
Surcharge for bed comfort height (bed sides +50 mm)			(MS-BK)		
	Height to bed side top edge 42 cm, bed side width 22 cm Bed mattress height adjustable (approx. 24-36 cm) Max. bed inset width: internal width less 1.5 cm				
					
	W/D/H in cm: 145,5 / 213 / 105	W/D/H in cm: 165,5 / 213 / 105	W/D/H in cm: 185,5 / 213 / 105	W/D/H in cm: 205,5 / 213 / 105	
Description	Bed 140/200, headboard straight, cross stile	Bed 160/200, headboard straight, cross stile	Bed 180/200, headboard straight, cross stile	Bed 200/200, headboard straight, cross stile	
Item number	<b>MSB420HQ</b>	<b>MSB620HQ</b>	<b>MSB820HQ</b>	<b>MSB220HQ</b>	
Surcharge for 2 movable LED reading lights			(MS-L2) Not envisaged in combination with glass panel!		
Surcharge bed inside length 210 cm			(MS-B21)		
Surcharge bed inside length 220 cm			(MS-B22)		
Surcharge for bed comfort height (bed sides +50 mm)			(MS-BK)		
	Height to bed side top edge 42 cm, bed side width 22 cm Bed mattress height adjustable (approx. 24-36 cm) Max. bed inset width: internal width less 1.5 cm				Specify installation on LEFT or RIGHT! Only 1 drawer possible for bed 140
					
	W/D/H in cm: 145,5 / 213 / 105	W/D/H in cm: 165,5 / 213 / 105	W/D/H in cm: 185,5 / 213 / 105	W/D/H in cm: 205,5 / 213 / 105	
Description	Bed 140/200, headboard straight, plinth	Bed 160/200, headboard straight, plinth	Bed 180/200, headboard straight, plinth	Bed 200/200, headboard straight, plinth	Surcharge for plinth drawer
Item number	<b>MSB420HS</b>	<b>MSB620HS</b>	<b>MSB820HS</b>	<b>MSB220HS</b>	<b>MS-BSL</b>
Surcharge for 2 movable LED reading lights			(MS-L2) Not envisaged in combination with glass panel!		--
Surcharge bed inside length 210 cm			(MS-B21)		--
Surcharge bed inside length 220 cm			(MS-B22)		--
Surcharge for bed comfort height (bed sides +50 mm)			(MS-BK)		--

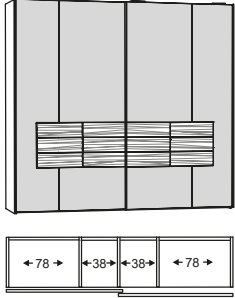
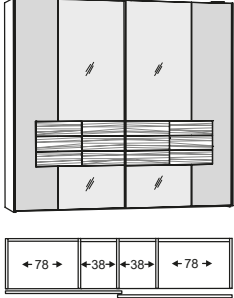
	 <p>W/D/H in cm: 59,8 / 42,7 / 46</p>				 <p>W/D/H in cm: 48 / 43,3 / 41</p>			
Description	Bedside table 60, 2 drawers				Bedside table 48, 2 drawers			
Cover panel	Glass panel		Wood panel		Glass panel		Wood panel	
Glass colour	montegrey	optiwhite	montegrey	optiwhite	montegrey	optiwhite	montegrey	optiwhite
Item number	<b>MSNT1-M-PM</b>	<b>MSNT1-O-PO</b>	<b>MSNT1-M-PH</b>	<b>MSNT1-O-PH</b>	<b>MSNT2-M-PM</b>	<b>MSNT2-O-PO</b>	<b>MSNT2-M-PH</b>	<b>MSNT2-O-PH</b>
	 <p>W/D/H in cm: 48 / 43,3 / 14,2</p>		 <p>W/D/H in cm: 48 / 43,3 / 14,2</p>		 <p>W/D/H in cm: 48 / 43,3 / 18,1</p>			
Description	Wall-mounted bedside table, LH version		Wall-mounted bedside table, RH version		Wall-mounted bedside table 48, 1 drawer			
Cover panel	---		---		Glass panel		Wood panel	
Glass colour	---		---		montegrey	optiwhite	montegrey	optiwhite
Item number	<b>MSHK-L</b>		<b>MSHK-R</b>		<b>MSNH1-M-PM</b>	<b>MSNH1-O-PO</b>	<b>MSNH1-M-PH</b>	<b>MSNH1-O-PH</b>
Surcharge for internal power sockets (2x 230V, 2x USB)			(MS-IS)		---			
	<p>Glass panel widens bed system by 49.9 cm</p>  <p>W/D/H in cm: 54 / 49,7 / 105</p>				 <p>W/D/H in cm: 54 / 49,7 / 105</p>			
Description	Glass panel with bedside table, LH version				Glass panel with bedside table, RH version			
Front glass	montegrey		optiwhite		montegrey		optiwhite	
Item number	<b>MSGPK-M-L</b>		<b>MSGPK-O-L</b>		<b>MSGPK-M-R</b>		<b>MSGPK-O-R</b>	
Surcharge for internal power sockets (2x 230V, 2x USB)					(MS-IS)			
Surcharge for lighting with switch					(MS-WGP)			
	<p>Glass panel widens bed system by 49.9 cm</p>  <p>W/D/H in cm: 54 / 49,7 / 105</p>				 <p>W/D/H in cm: 54 / 49,7 / 105</p>			
Description	Glass panel with wall-mounted bedside table, LH version				Glass panel with wall-mounted bedside table, RH version			
Cover panel	Glass panel		Wood panel		Glass panel		Wood panel	
Glass colour	montegrey	optiwhite	montegrey	optiwhite	montegrey	optiwhite	montegrey	optiwhite
Item number	<b>MSGPH-M-L-PM</b>	<b>MSGPH-O-L-PO</b>	<b>MSGPH-M-L-PH</b>	<b>MSGPH-O-L-PH</b>	<b>MSGPH-M-R-PM</b>	<b>MSGPH-O-R-PO</b>	<b>MSGPH-M-R-PH</b>	<b>MSGPH-O-R-PH</b>
Surcharge for lighting with switch					(MS-WGP)			

<p>Glass panel widens bed system by 49.9 cm</p>	 <p>W/D/H in cm: 54 / 49,7 / 105</p>	 <p>W/D/H in cm: 54 / 49,7 / 105</p>						
<p>Description</p>	<p>Glass panel with bedside table, 2 drawers, LH version</p>				<p>Glass panel with bedside table, 2 drawers, RH version</p>			
<p>Cover panel</p>	<p>Glass panel</p>		<p>Wood panel</p>		<p>Glass panel</p>		<p>Wood panel</p>	
<p>Glass colour</p>	<p>montegrey</p>	<p>optiwhite</p>	<p>montegrey</p>	<p>optiwhite</p>	<p>montegrey</p>	<p>optiwhite</p>	<p>montegrey</p>	<p>optiwhite</p>
<p>Item number</p>	<p><b>MSGPN2-M-L-PM</b></p>	<p><b>MSGPN2-O-L-PO</b></p>	<p><b>MSGPN2-M-L-PH</b></p>	<p><b>MSGPN2-O-L-PH</b></p>	<p><b>MSGPN2-M-R-PM</b></p>	<p><b>MSGPN2-O-R-PO</b></p>	<p><b>MSGPN2-M-R-PH</b></p>	<p><b>MSGPN2-O-R-PH</b></p>
<p>Surcharge for lighting with switch</p>	<p>(MS-WGP)</p>							
<p>1 Shelf</p>  <p>W/D/H in cm: 128 / 51,8 / 90</p>					 <p>W/D/H in cm: 128 / 51,8 / 90</p>			
<p>Description</p>	<p>Chest 128, 2 glass doors</p>				<p>Chest 128, 3 drawers</p>			
<p>Cover panel</p>	<p>Glass panel</p>		<p>Wood panel</p>		<p>Glass panel</p>		<p>Wood panel</p>	
<p>Glass colour</p>	<p>montegrey</p>	<p>optiwhite</p>	<p>montegrey</p>	<p>optiwhite</p>	<p>montegrey</p>	<p>optiwhite</p>	<p>montegrey</p>	<p>optiwhite</p>
<p>Item number</p>	<p><b>MSK12T-M-PM</b></p>	<p><b>MSK12T-O-PO</b></p>	<p><b>MSK12T-M-PH</b></p>	<p><b>MSK12T-O-PH</b></p>	<p><b>MSK12L-M-PM</b></p>	<p><b>MSK12L-O-PO</b></p>	<p><b>MSK12L-M-PH</b></p>	<p><b>MSK12L-O-PH</b></p>
<p>1 Shelf</p>  <p>W/D/H in cm: 160 / 51,8 / 90</p>					<p>1 Shelf</p>  <p>W/D/H in cm: 160 / 51,8 / 90</p>			
<p>Description</p>	<p>Chest 160, 1 door, 3 drawers, door on left</p>				<p>Chest 160, 1 door, 3 drawers, door on right</p>			
<p>Cover panel</p>	<p>Glass panel</p>		<p>Wood panel</p>		<p>Glass panel</p>		<p>Wood panel</p>	
<p>Glass colour</p>	<p>montegrey</p>	<p>optiwhite</p>	<p>montegrey</p>	<p>optiwhite</p>	<p>montegrey</p>	<p>optiwhite</p>	<p>montegrey</p>	<p>optiwhite</p>
<p>Item number</p>	<p><b>MSK16-M-L-PM</b></p>	<p><b>MSK16-O-L-PO</b></p>	<p><b>MSK16-M-L-PH</b></p>	<p><b>MSK16-O-L-PH</b></p>	<p><b>MSK16-M-R-PM</b></p>	<p><b>MSK16-O-R-PO</b></p>	<p><b>MSK16-M-R-PH</b></p>	<p><b>MSK16-O-R-PH</b></p>
<p>1 shelf on each outer side</p>  <p>W/D/H in cm: 192 / 51,8 / 90</p>					<p>1 shelf on each outer side</p>  <p>W/D/H in cm: 224 / 51,8 / 90</p>			
<p>Description</p>	<p>Chest 192, 2 doors, 3 drawers</p>				<p>Chest 224, 2 doors, 3 drawers</p>			
<p>Cover panel</p>	<p>Glass panel</p>		<p>Wood panel</p>		<p>Glass panel</p>		<p>Wood panel</p>	
<p>Glass colour</p>	<p>montegrey</p>	<p>optiwhite</p>	<p>montegrey</p>	<p>optiwhite</p>	<p>montegrey</p>	<p>optiwhite</p>	<p>montegrey</p>	<p>optiwhite</p>
<p>Item number</p>	<p><b>MSK19-M-PM</b></p>	<p><b>MSK19-O-PO</b></p>	<p><b>MSK19-M-PH</b></p>	<p><b>MSK19-O-PH</b></p>	<p><b>MSK22-M-PM</b></p>	<p><b>MSK22-O-PO</b></p>	<p><b>MSK22-M-PH</b></p>	<p><b>MSK22-O-PH</b></p>

	3 Shelves  W/D/H in cm: 64 / 42,5 / 138				3 Shelves  W/D/H in cm: 64 / 42,5 / 138			
Description	Highboard 64, 1 door, door mounted on left				Highboard 64, 1 door, door mounted on right			
Cover panel	Glass panel		Wood panel		Glass panel		Wood panel	
Glass colour	montegrey	optiwhite	montegrey	optiwhite	montegrey	optiwhite	montegrey	optiwhite
Item number	<b>MSH64T-M-L-PM</b>	<b>MSH64T-O-L-PO</b>	<b>MSH64T-M-L-PH</b>	<b>MSH64T-O-L-PH</b>	<b>MSH64T-M-R-PM</b>	<b>MSH64T-O-R-PO</b>	<b>MSH64T-M-R-PH</b>	<b>MSH64T-O-R-PH</b>
	Highboard 64, 5 drawers  W/D/H in cm: 64 / 42,5 / 138				Linen unit 96 1 fixed shelf each at the top 1 shelf on each outer side centre, drawer-stack pull-out (3 drawer carcasses) 2 drawers at bottom  W/D/H in cm: 96 / 42,5 / 154			
Description	Highboard 64, 5 drawers				Linen unit 96			
Cover panel	Glass panel		Wood panel		Glass panel		Wood panel	
Glass colour	montegrey	optiwhite	montegrey	optiwhite	montegrey	optiwhite	montegrey	optiwhite
Item number	<b>MSH64L-M-PM</b>	<b>MSH64L-O-PO</b>	<b>MSH64L-M-PH</b>	<b>MSH64L-O-PH</b>	<b>MSW96-M-PM</b>	<b>MSW96-O-PO</b>	<b>MSW96-M-PH</b>	<b>MSW96-O-PH</b>
	Base frame anthracite Top for lifting Jewellery / make-up organiser Internal power sockets (2x 230V, 2x USB)  W/D/H in cm: 96 / 45 / 83,1	Mirror, Parsol bronze  W/D/H in cm: 80 / 3,6 / 71		Mirror, Parsol bronze  W/D/H in cm: 129 / 5,1 / 42		Base panel and shelf anthracite  W/D/H in cm: 38,6 / 36,5 / 157		
Description	Dressing table 96		Make-up mirror, round, 80/71 cm with lighting		Mirror 129/42 cm		Clothes stand	
Cover panel	Glass montegrey	Glass optiwhite	---		---		---	
Item number	<b>MSST96-PM</b>	<b>MSST96-PO</b>	<b>MSSR80</b>		<b>MSSP12</b>		<b>MSSTD</b>	
Surcharge interior lighting for Dressing table	(MS-IST96)		--		--		--	
	Seat upholstery: Foam 3,5 cm Weight per unit volume 50 Compression hardness 75  W/D/H in cm: 53,8 / 45 / 45	 W/D/H in cm: 145,6 / 45 / 45		Fold-up seat Storage space ~12 cm high  W/D/H in cm: 145,6 / 45 / 45				
Description	Stool		End of bed bench 146		End of bed bench 146 with storage space			
Item number	<b>MSHOCK</b>		<b>MSBEB</b>		<b>MSBEBS</b>			
Cover fabric	Fabric	Leather	Fabric	Leather	Fabric	Leather		

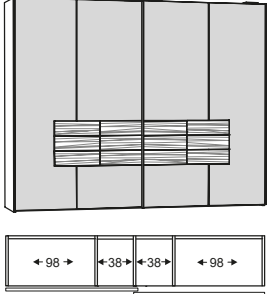
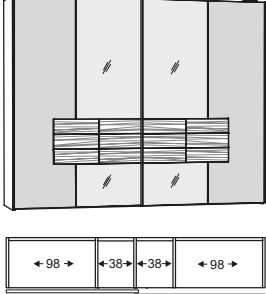
				
	W/D/H in cm: 95,6 / 32,5 / 95,6	W/D/H in cm: 95,6 / 32,5 / 95,6	W/D/H in cm: 95,6 / 32,5 / 95,6	
Description	Coat rack panel 96/96 with mirror, LH version	Coat rack panel 96/96 with mirror, RH version	Coat rack panel 96/96	
Item number	<b>MSP96S-L</b>	<b>MSP96S-R</b>	<b>MSP96</b>	
Surcharge for lighting with switch		(MS-W96)		
Surcharge for lighting with radio and dimmer		(MS-F96)		
				
	W/D/H in cm: 95,6 / 32,5 / 191,6	W/D/H in cm: 95,6 / 32,5 / 191,6	W/D/H in cm: 95,6 / 32,5 / 191,6	
Description	Coat rack panel 96/192 with mirror and storage shelf, LH version	Coat rack panel 96/192 with mirror and storage shelf, RH version	Coat rack panel 96/192 with storage shelf	
Item number	<b>MSP96SA-L</b>	<b>MSP96SA-R</b>	<b>MSP96A</b>	
Surcharge for lighting with switch		(MS-W962)		
Surcharge for lighting with radio and dimmer		(MS-F962)		
				
	W/D/H in cm: 0,4 / 10 / 32	W/D/H in cm: 32,4 / 10 / 3		
Description	Hooks for wardrobe panel	Utensils tray for wardrobe panel		
Item number	<b>MSPGH</b>	<b>MSPGU</b>		



Interior partitioning, each: 2 Shelves 1 Garment rail		
	WD/H in cm: 242 / 71 / 226	WD/H in cm: 242 / 71 / 226

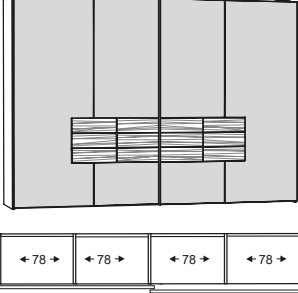
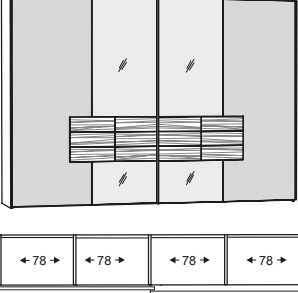
Description	Sliding-door wardrobe 242, coloured glass front		Sliding-door wardrobe 242, Parsol mirror in middle	
Front glass	montegrey	optiwhite	montegrey	optiwhite
Item number	<b>MSS24C-M</b>	<b>MSS24C-O</b>	<b>MSS24S-M</b>	<b>MSS24S-O</b>

Surcharge for carcass interior lighting (MS-K4)

Interior partitioning, each: 2 Shelves 1 Garment rail		
	WD/H in cm: 282 / 71 / 226	WD/H in cm: 282 / 71 / 226

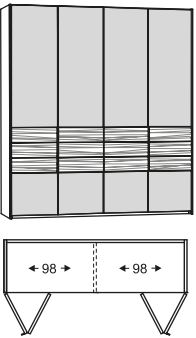
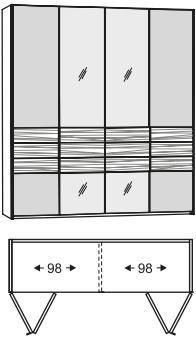
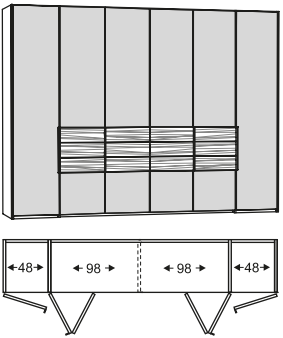
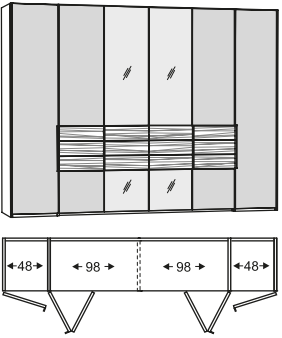
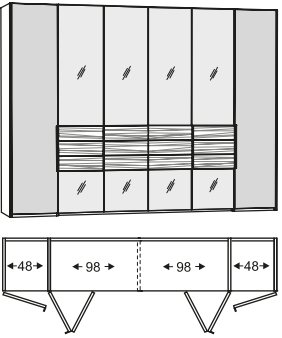
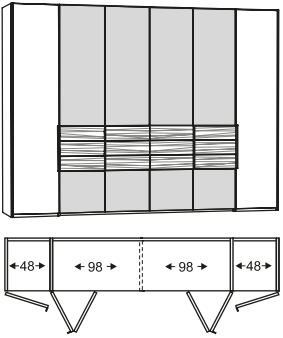
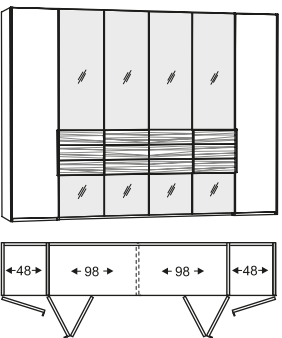
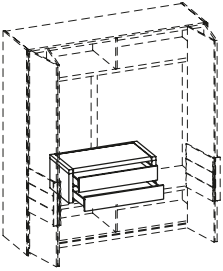
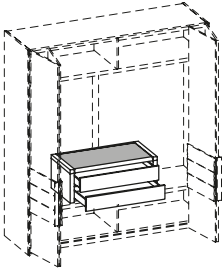
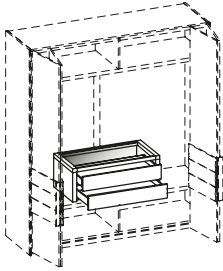
Description	Sliding-door wardrobe 282, coloured glass front		Sliding-door wardrobe 282, Parsol mirror in middle	
Front glass	montegrey	optiwhite	montegrey	optiwhite
Item number	<b>MSS28C-M</b>	<b>MSS28C-O</b>	<b>MSS28S-M</b>	<b>MSS28S-O</b>

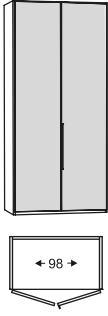
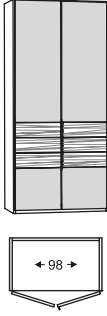
Surcharge for carcass interior lighting (MS-K4)

Interior partitioning, each: 2 Shelves 1 Garment rail		
	WD/H in cm: 322 / 71 / 226	WD/H in cm: 322 / 71 / 226

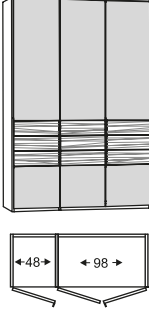
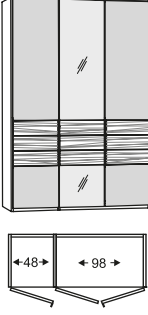
Description	Sliding-door wardrobe 322, coloured glass front		Sliding-door wardrobe 322, Parsol mirror in middle	
Front glass	montegrey	optiwhite	montegrey	optiwhite
Item number	<b>MSS32C-M</b>	<b>MSS32C-O</b>	<b>MSS32S-M</b>	<b>MSS32S-O</b>

Surcharge for carcass interior lighting (MS-K4)

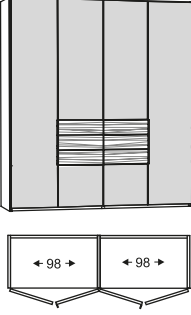
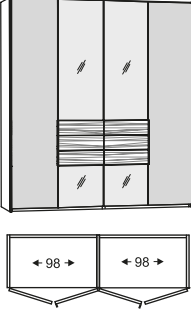
Interior partitioning, each: 2 Shelves 1 Garment rail						
	W/D/H in cm: 202 / 63 / 226	W/D/H in cm: 202 / 63 / 226	W/D/H in cm: 302 / 63 / 226			
Description	Folding-door wardrobe, 4-door, coloured-glass front		Folding-door wardrobe, 4-door, 2 Parsol mirror fronts in the middle		Folding-door wardrobe, 6-door, coloured-glass front	
Front glass	montegrey	optiwhite	montegrey	optiwhite	montegrey	optiwhite
Item number	<b>MSF401-M</b>	<b>MSF401-O</b>	<b>MSF402-M</b>	<b>MSF402-O</b>	<b>MSF601-M</b>	<b>MSF601-O</b>
Surcharge for carcass interior lighting			(MS-K2)		(MS-K4)	
Interior partitioning, each: 2 Shelves 1 Garment rail						
	W/D/H in cm: 302 / 63 / 226	W/D/H in cm: 302 / 63 / 226	W/D/H in cm: 302 / 63 / 226			
Description	Folding-door wardrobe, 6-door, 2 Parsol mirror fronts in the middle		Folding-door wardrobe, 6-door, 4 Parsol mirror fronts in the middle		Folding-door wardrobe, 6-door, wooden fronts on either side, 4 coloured glass fronts in the middle	
Front glass	montegrey	optiwhite	montegrey	optiwhite	montegrey	optiwhite
Item number	<b>MSF602-M</b>	<b>MSF602-O</b>	<b>MSF603-M</b>	<b>MSF603-O</b>	<b>MSF604-M</b>	<b>MSF604-O</b>
Surcharge for carcass interior lighting			(MS-K4)			
Interior partitioning, each: 2 Shelves 1 Garment rail						
	W/D/H in cm: 302 / 63 / 226	W/D/H in cm: 96,2 / 49,1 / 36,4	W/D/H in cm: 96,2 / 49,1 / 36,4	W/D/H in cm: 96,2 / 49,1 / 36,4		
Description	Folding-door wardrobe, 6-door, wooden front on either side, 4 Parsol mirror fronts in the middle		Double internal drawers 96, wooden cover		Double internal drawers 96, cover panel in Sky leather	
Item number	<b>MSF605</b>		<b>MSIL9FH</b>	<b>MSIL9FS</b>	<b>MSIL9FG</b>	
Surcharge for carcass interior lighting			(MS-K4)			

Interior partitioning: 2 Shelves 1 Garment rail	 <p>W/D/H in cm: 102 / 63 / 226</p>	 <p>W/D/H in cm: 102 / 63 / 226</p>
	Surcharge for carcass interior lighting (MS-K1)	

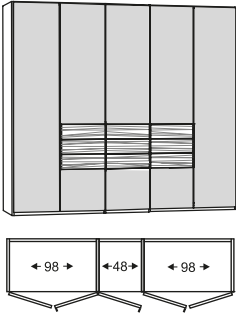
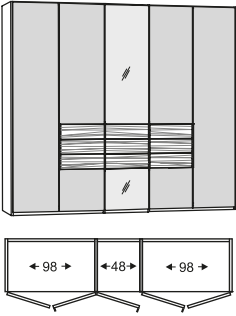
Description	Wardrobe 2-door, coloured glass front		Wardrobe 2-door, coloured glass front	
Front glass	montegrey	optiwhite	montegrey	optiwhite
Item number	<b>MSS201-M</b>	<b>MSS201-O</b>	<b>MSS202-M</b>	<b>MSS202-O</b>
Surcharge for carcass interior lighting (MS-K1)				

Interior partitioning, each: 2 Shelves 1 Garment rail	 <p>W/D/H in cm: 152 / 63 / 226</p>	 <p>W/D/H in cm: 152 / 63 / 226</p>
	Surcharge for carcass interior lighting (MS-K2)	

Description	Wardrobe 3-door, coloured glass front		Wardrobe 3-door, 1 Parsol mirror front in the middle	
Front glass	montegrey	optiwhite	montegrey	optiwhite
Item number	<b>MSS301-M</b>	<b>MSS301-O</b>	<b>MSS302-M</b>	<b>MSS302-O</b>
Surcharge for carcass interior lighting (MS-K2)				

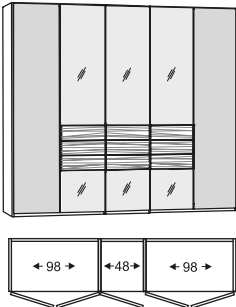
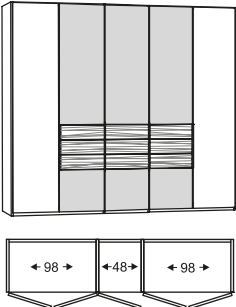
Interior partitioning, each: 2 Shelves 1 Garment rail	 <p>W/D/H in cm: 202 / 63 / 226</p>	 <p>W/D/H in cm: 202 / 63 / 226</p>
	Surcharge for carcass interior lighting (MS-K2)	

Description	Wardrobe 4-door, coloured glass front		Wardrobe 4-door, middle 2 Parsol mirror fronts	
Front glass	montegrey	optiwhite	montegrey	optiwhite
Item number	<b>MSS401-M</b>	<b>MSS401-O</b>	<b>MSS402-M</b>	<b>MSS402-O</b>
Surcharge for carcass interior lighting (MS-K2)				

Interior partitioning, each: 2 Shelves 1 Garment rail		
	W/D/H in cm: 252 / 63 / 226	W/D/H in cm: 252 / 63 / 226

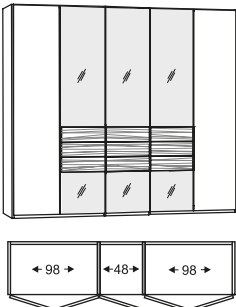
Description	Wardrobe 5-door, coloured glass front		Wardrobe 5-door, middle 1 Parsol mirror fronts	
Front glass	montegrey	optiwhite	montegrey	optiwhite
Item number	<b>MSS501-M</b>	<b>MSS501-O</b>	<b>MSS502-M</b>	<b>MSS502-O</b>

Surcharge for carcass interior lighting (MS-K3)

Interior partitioning, each: 2 Shelves 1 Garment rail		
	W/D/H in cm: 252 / 63 / 226	W/D/H in cm: 252 / 63 / 226

Description	Wardrobe 5-door, middle 3 Parsol mirror fronts		Wardrobe, 5-door, wooden fronts at either end, 3 coloured glass fronts in between	
Front glass	montegrey	optiwhite	montegrey	optiwhite
Item number	<b>MSS504-M</b>	<b>MSS504-O</b>	<b>MSS505-M</b>	<b>MSS505-O</b>

Surcharge for carcass interior lighting (MS-K3)

Interior partitioning, each: 2 Shelves 1 Garment rail	
	W/D/H in cm: 252 / 63 / 226

Description	Wardrobe 5-door, wooden front on either side, 3 middle Parsol mirror fronts
Item number	<b>MSS506</b>

Surcharge for carcass interior lighting (MS-K3)

Interior partitioning, each: 2 Shelves 1 Garment rail		
	W/D/H in cm: 302 / 63 / 226	W/D/H in cm: 302 / 63 / 226

Description	Wardrobe 6-door, coloured glass front		Wardrobe 6-door, middle 2 Parsol mirror fronts	
Front glass	montegrey	optiwhite	montegrey	optiwhite
Item number	<b>MSS601-M</b>	<b>MSS601-O</b>	<b>MSS602-M</b>	<b>MSS602-O</b>

Surcharge for carcass interior lighting (MS-K3)

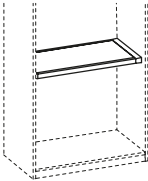
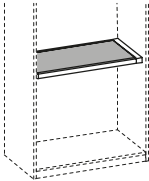
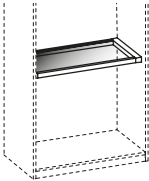
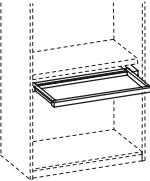
Interior partitioning, each: 2 Shelves 1 Garment rail		
	W/D/H in cm: 302 / 63 / 226	W/D/H in cm: 302 / 63 / 226

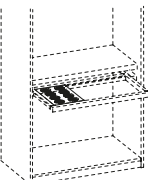
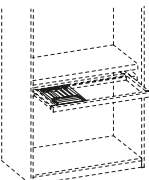
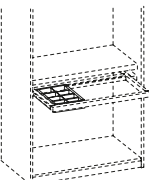
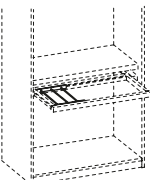
Description	Wardrobe 6-door, middle 4 Parsol mirror fronts		Wardrobe, 6-door, wooden fronts at either end, 4 coloured glass fronts in between	
Front glass	montegrey	optiwhite	montegrey	optiwhite
Item number	<b>MSS603-M</b>	<b>MSS603-O</b>	<b>MSS604-M</b>	<b>MSS604-O</b>

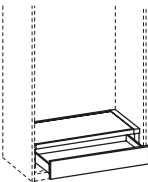
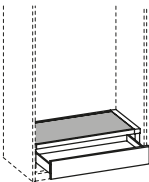
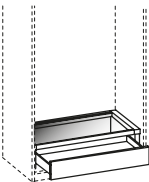
Surcharge for carcass interior lighting (MS-K3)

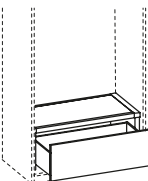
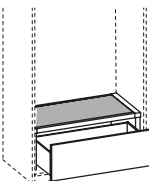
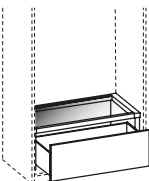
Interior partitioning, each: 2 Shelves 1 Garment rail	
	W/D/H in cm: 302 / 63 / 226
Description	Wardrobe 6-door, wooden front on either side, 4 middle Parsol mirror fronts
Item number	<b>MSS605</b>
Surcharge for carcass interior lighting	(MS-K3)

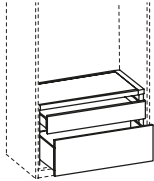
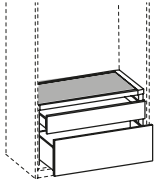
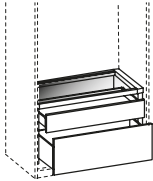




								
	T/H in cm: 49,1 / 4	T/H in cm: 49,1 / 4	T/H in cm: 49,1 / 4	T/H in cm: 49 / 4				
Description	Shelf with wooden cover		Shelf with cover panel in Sky leather		Shelf with glass cover		pull-out frames	
inside width	78 cm	98 cm	78 cm	98 cm	78 cm	98 cm	78 cm	98 cm
Item number	<b>MSB78H</b>	<b>MSB98H</b>	<b>MSB78S</b>	<b>MSB98S</b>	<b>MSB78G</b>	<b>MSB98G</b>	<b>MSTA78</b>	<b>MSTA98</b>


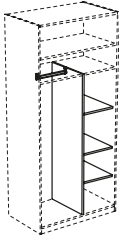
Inserts for Pull-out frame or internal drawers:  for internal width 98 3 Inserts can be fitted  for internal width 78 2 Inserts can be fitted				
	W/D/H in cm: 27 / 39,9 / 2,6	W/D/H in cm: 27 / 39,9 / 2,6	W/D/H in cm: 27 / 39,9 / 7	W/D/H in cm: 27 / 39,9 / 2,6
Description	Jewellery insert 1	Jewellery insert 2	Shelf, Sky leather, black Compartment insert	railing set
Item number	<b>MSTAS1</b>	<b>MSTAS2</b>	<b>MSTAF</b>	<b>MSTARE</b>

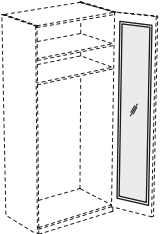
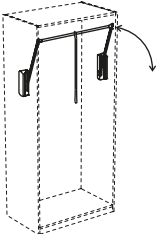


						
	T/H in cm: 49,1 / 20,4	T/H in cm: 49,1 / 20,4	T/H in cm: 49,1 / 20,4			
Description	Internal drawers 20 tall, wooden cover		Internal drawers 20 tall, cover panel Sky leather	Internal drawers 20 high, glass cover		
inside width	78 cm	98 cm	78 cm	98 cm		
Item number	<b>MSIL71H</b>	<b>MSIL91H</b>	<b>MSIL71S</b>	<b>MSIL91S</b>	<b>MSIL71G</b>	<b>MSIL91G</b>



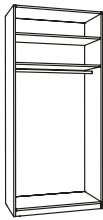
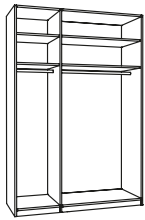
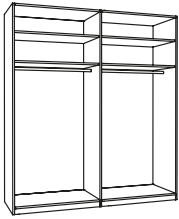

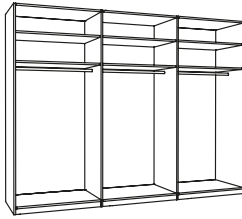
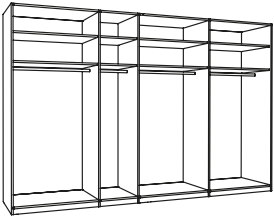
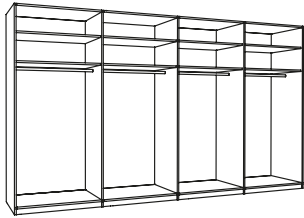
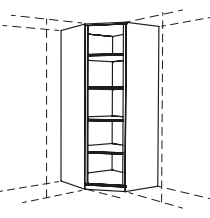
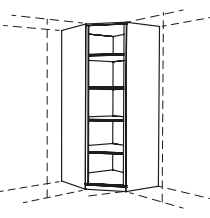




						
	T/H in cm: 49,1 / 36,4	T/H in cm: 49,1 / 36,4	T/H in cm: 49,1 / 36,4			
Description	Internal drawers 36 tall, wooden cover		Internal drawers 36 tall, cover panel Sky leather	Internal drawers 36 high, glass cover		
inside width	78 cm	98 cm	78 cm	98 cm		
Item number	<b>MSIL73H</b>	<b>MSIL93H</b>	<b>MSIL73S</b>	<b>MSIL93S</b>	<b>MSIL73G</b>	<b>MSIL93G</b>

















							
	T/H in cm: 49,1 / 52,4		T/H in cm: 49,1 / 52,4		T/H in cm: 49,1 / 52,4		
Description	Double internal drawers, wooden cover		Double internal drawers, top Sky leather		Double internal drawer, glass cover		
inside width	78 cm	98 cm	78 cm	98 cm	78 cm	98 cm	
Item number	<b>MSIL7DH</b>	<b>MSIL9DH</b>	<b>MSIL7DS</b>	<b>MSIL9DS</b>	<b>MSIL7DG</b>	<b>MSIL9DG</b>	

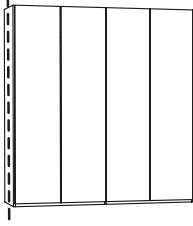
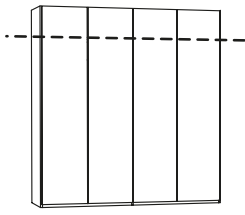

								
	T/H in cm: 55,4 / 2				T/H in cm: 55,4 / 2			
Description	Shelf				Shelf with clothes rail			
inside width	38 cm	48 cm	78 cm	98 cm	38 cm	48 cm	78 cm	98 cm
Item number	<b>MSFACH38</b>	<b>MSFACH48</b>	<b>MSFACH78</b>	<b>MSFACH98</b>	<b>MSFAKL38</b>	<b>MSFAKL48</b>	<b>MSFAKL78</b>	<b>MSFAKL98</b>




							
					T/H in cm: 55,2 / 156,1		
Description	Clothes rail				Multiple-purpose partitioning		
inside width	38 cm	48 cm	78 cm	98 cm	78 cm	98 cm	
Item number	<b>MSKL38</b>	<b>MSKL48</b>	<b>MSKL78</b>	<b>MSKL98</b>	<b>MSMZ78</b>	<b>MSMZ98</b>	

	Mirror, white, with wooden frame When ordering, please specify which door to mount on 	Width adjustable from 60 - 100 cm 	- motion detectors - 6x LED, 0,5 Watt - with USB charging cable - with USB, rechargeable - individ. Installing below shelf - no wiring necessary 	Mains plug with USB connection for charging the cordless LED light (Standard USB charger 5V/DC, 1 ampere, 100-240 V) 
	B/H in cm: 39,2 / 207,3	W/D/H in cm: 98 / 15 / 84	W/D/H in cm: 10,2 / 8,5 / 1	
Description	Full body inside mirror	Clothes lift	Rechargeable battery LED light with movement detector	USB charger
Item number	<b>MS-ISP</b>	<b>MSKLIFT</b>	<b>MSALEU</b>	<b>MSUSB</b>

Interior partitioning, each: 2 Shelves 1 Garment rail				
	W/D/H in cm: 52 / 60,8 / 226	W/D/H in cm: 52 / 60,8 / 226	W/D/H in cm: 102 / 60,8 / 226	W/D/H in cm: 152 / 60,8 / 226
Description	Carcase without front for 1-door, door mounted on left		Carcase without front for 1-door, door mounted on right	
Description	Carcase without front for 1-door, door mounted on left		Carcase without front for 2-door unit	
Description	Carcase without front for 1-door, door mounted on left		Carcase without front for 3-door unit	
Item number	<b>MSK1-L</b>		<b>MSK1-R</b>	
Item number	<b>MSK1-L</b>		<b>MSK2</b>	
Item number	<b>MSK1-L</b>		<b>MSK3</b>	
Surcharge for carcase interior lighting	(MS-K1)		(MS-K2)	
Interior partitioning, each: 2 Shelves 1 Garment rail				
	W/D/H in cm: 202 / 60,8 / 226	W/D/H in cm: 252 / 60,8 / 226	W/D/H in cm: 302 / 60,8 / 226	W/D/H in cm: 352 / 60,8 / 226
Description	Carcase without front for 4-door unit		Carcase without front for 5-door unit	
Description	Carcase without front for 4-door unit		Carcase without front for 6-door unit	
Description	Carcase without front for 4-door unit		Carcase without front for 7-door unit	
Item number	<b>MSK4</b>		<b>MSK5</b>	
Item number	<b>MSK4</b>		<b>MSK6</b>	
Item number	<b>MSK4</b>		<b>MSK7</b>	
Surcharge for carcase interior lighting	(MS-K2)		(MS-K3)	
Interior partitioning, each: 2 Shelves 1 Garment rail				
	W/D/H in cm: 402 / 60,8 / 226	W/D/H in cm: 99,7 / 99,7 / 226	W/D/H in cm: 99,7 / 99,7 / 226	
Description	Carcase without front for 8-door unit		Prepared on both sides for attaching to cabinet	
Description	Carcase without front for 8-door unit		Prepared on both sides for attaching to cabinet	
Description	Carcase without front for 8-door unit		Corner carcass with compartments, without front, door mounted on left	
Description	Carcase without front for 8-door unit		Corner carcass with compartments, without front, door mounted on right	
Item number	<b>MSK8</b>		<b>MSKECK-L</b>	
Item number	<b>MSK8</b>		<b>MSKECK-R</b>	
Surcharge for carcase interior lighting	(MS-K4)		(MS-K1)	
Doors without finger pull are designed with internal buffer strip				
	W/D/H in cm: 49,2 / 2,1 / 222,2	W/D/H in cm: 49,2 / 2,1 / 222,2	W/D/H in cm: 49,2 / 2,1 / 222,2	W/D/H in cm: 49,2 / 2,1 / 222,2
Description	Door front in coloured glass without finger pull, door mounted on left		Door front in coloured glass without finger pull, door mounted on right	
Description	Door front in coloured glass without finger pull, door mounted on left		Door front in coloured glass with finger pull, door mounted on left	
Description	Door front in coloured glass without finger pull, door mounted on left		Door front in coloured glass with finger pull, door mounted on right	
Front glass	montegrey	optiwhite	montegrey	optiwhite
Front glass	montegrey	optiwhite	montegrey	optiwhite
Front glass	montegrey	optiwhite	montegrey	optiwhite
Front glass	montegrey	optiwhite	montegrey	optiwhite
Item number	<b>MSFC-M-L</b>	<b>MSFC-O-L</b>	<b>MSFC-M-R</b>	<b>MSFC-O-R</b>
Item number	<b>MSFC-M-L</b>	<b>MSFC-O-L</b>	<b>MSFC-M-R</b>	<b>MSFC-O-R</b>
Item number	<b>MSFC-M-L</b>	<b>MSFC-O-L</b>	<b>MSFC-M-R</b>	<b>MSFC-O-R</b>
Item number	<b>MSFC-M-L</b>	<b>MSFC-O-L</b>	<b>MSFC-M-R</b>	<b>MSFC-O-R</b>

Doors without finger pull are designed with internal buffer strip								
	W/D/H in cm: 49,2 / 2,1 / 222,2	W/D/H in cm: 49,2 / 2,1 / 222,2	W/D/H in cm: 49,2 / 2,1 / 222,2	W/D/H in cm: 49,2 / 2,1 / 222,2				
Description	Door front cleft wood, glass without finger pull, door mounted on left		Door front cleft wood, glass without finger pull, door mounted on right		Door front cleft wood, glass with finger pull, door mounted on left		Door front cleft wood, glass with finger pull, door mounted on right	
Front glass	montegrey	optiwhite	montegrey	optiwhite	montegrey	optiwhite	montegrey	optiwhite
Item number	<b>MSFSC-M-L</b>	<b>MSFSC-O-L</b>	<b>MSFSC-M-R</b>	<b>MSFSC-O-R</b>	<b>MSFSCG-M-L</b>	<b>MSFSCG-O-L</b>	<b>MSFSCG-M-R</b>	<b>MSFSCG-O-R</b>
Doors without finger pull are designed with internal buffer strip								
	W/D/H in cm: 49,2 / 2,1 / 222,2	W/D/H in cm: 49,2 / 2,1 / 222,2	W/D/H in cm: 49,2 / 2,1 / 222,2	W/D/H in cm: 49,2 / 2,1 / 222,2				
Description	Door front cleft wood, Parsol mirror without finger pull, door mounted on left		Door front cleft wood, Parsol mirror without finger pull, door mounted on right		Door front cleft wood, Parsol mirror with finger pull, door mounted on left		Door front cleft wood, Parsol mirror with finger pull, door mounted on right	
Item number	<b>MSFSC-P-L</b>		<b>MSFSC-P-R</b>		<b>MSFSCG-P-L</b>		<b>MSFSCG-P-R</b>	
Doors without finger pull are designed with internal buffer strip								
	W/D/H in cm: 49,2 / 2,1 / 222,2	W/D/H in cm: 49,2 / 2,1 / 222,2	W/D/H in cm: 49,2 / 2,1 / 222,2	W/D/H in cm: 49,2 / 2,1 / 222,2				
Description	Door front in wood without finger pull, door mounted on left		Door front in wood without finger pull, door mounted on right		Door front in wood with finger pull, door mounted on left		Door front in wood with finger pull, door mounted on right	
Item number	<b>MSFH-L</b>		<b>MSFH-R</b>		<b>MSFHG-L</b>		<b>MSFHG-R</b>	
Doors without finger pull are designed with internal buffer strip								
	W/D/H in cm: 49,2 / 2,1 / 222,2	W/D/H in cm: 49,2 / 2,1 / 222,2	W/D/H in cm: 49,2 / 2,1 / 222,2	W/D/H in cm: 49,2 / 2,1 / 222,2				
Description	Door front cleft wood, wood without finger pull, door mounted on left		Door front cleft wood, wood without finger pull, door mounted on right		Door front cleft wood, wood with finger pull, door mounted on left		Door front cleft wood, wood with finger pull, door mounted on right	
Item number	<b>MSFSH-L</b>		<b>MSFSH-R</b>		<b>MSFSHG-L</b>		<b>MSFSHG-R</b>	

For hinged and sliding-door wardrobes, 1-8 doors	Important: Internal drawers are not shortened	Surcharge is made twice for corner unit combination.	(coreboard, veneered, edged all round) Max. length 252 cm max. width 110 cm Material thickness: 14, 20 or 23 mm
			
	Surcharge for depth shortening for wardrobe	Surcharge for height reduction for wardrobe	Filler panel, both sides veneered
	<b>MSSOT</b>	<b>MSSOH</b>	<b>MSBLBS</b>
			(per m <sup>2</sup> )

	<b>WOOD CARE</b>		<b>FABRIC CARE</b>	
	250 ml VOGLAUER care oil and polishing cloth	100 ml of VOGLAUER cleaning milk and repair oil, Scotch-Brite and polishing cloths	200 ml of demineralised cleaning water and synthetic fibre cleaner, cleaning glove, brush and cloth.	
				For collection <b>CURL</b> <b>CHALET</b> <b>VINTAGE</b>
	Genuine VOGLAUER care oil cleans or refreshes the surface, leaving a breathable protective film.	For repairing minor surface damage and removing soiling	The genuine VOGLAUER care and cleaning set contains everything that is needed for regular cleaning and maintenance of synthetic fibre covers. Used regularly, these products will keep upholstery covers looking beautiful and well-maintained for years to come.	
Description	Care set for oiled surfaces	Repairing set for oiled surfaces	Care and cleaning set for synthetic fibres	
Item number	<b>MSPSET</b>	<b>MSRSET</b>	<b>MSVISET</b>	

	<b>LEATHER CARE</b>			
	200 ml of gentle cleaner and care lotion with light protection, sponge and cloths.			
				
	The genuine VOGLAUER leather care set for cleaning leather thoroughly and gently as well as impregnating it. <u>Recommendation:</u> 2 - 4 applications a year.	For removing heavy, non-greasy soiling and dust on the leather.	Highly effective impregnation and light protection. The leather is re-moisturised, keeping it supple. Delays colour fading.	For refreshing the leather colour of slightly faded or worn leather. <u>Recommendation:</u> Afterwards, impregnate with care lotion. Specify LEATHER COLOUR.
Description	Leather care set	Leather cleaner 200 ml	Leather care lotion 200 ml	Leather colour lotion 200 ml
Item number	<b>MSLESET</b>	<b>MSLEREI</b>	<b>MSLEPFL</b>	<b>MSLEFAL</b>



# GENERAL CONDITIONS OF SALE

## 1. General

1.1. The following terms of sale and delivery, hereinafter referred to as "GTC", apply to all business relationships (such as purchase contracts, work contracts, planning orders etc.) between VOGLAUER Gschwandtner & Zwilling GmbH, Voglauer hotel concept business division, hereinafter referred to as "VOGLAUER", and customers. By placing an order or entering into a contract with VOGLAUER, the customers accept these as binding. Deviations, contradictions or supplementary general terms and conditions will not be binding on this contract, even when they are known about at the time, unless they are expressly agreed in writing. If conditions which deviate from these GTC are agreed in writing, these additional considerations shall apply.

1.2. VOGLAUER generally only enters into contracts with companies, which is why the GTC were designed for legal transactions between companies. If, in exceptional cases, they are also used as a basis for legal transactions with consumers, they shall only apply insofar as they do not violate mandatory provisions of consumer protection law.

## 2. Offers, prices

2.1. All prices quoted by VOGLAUER in offers and price lists are subject to change and are net prices, unless it is expressly stated that statutory value added tax is included. Value added tax shall be charged separately in accordance with the statutory provisions applicable on the day of delivery or performance. VOGLAUER reserves the right to make technical and other reasonable changes. If a customer's order does not contain any price information, VOGLAUER's price lists applicable on the day the order is received shall apply to this order.

2.2. Export deliveries are generally charged in euros and must also be paid in euros. If another currency is expressly agreed, VOGLAUER will invoice on the basis of the exchange rate to the Euro on the day that the order is confirmed. The rates calculated by the Austrian banks are applied for this purpose.

2.3. Export deliveries are generally charged in Euro and are also payable in Euro. If another currency has been explicitly agreed, VOGLAUER will invoice on the basis of the Euro exchange rate of the day on which the order has been confirmed. The price calculation of the Austrian National Bank (ONB) (published on: <https://www.onb.at/zinssatzwechselkurse/>) is the only relevant calculation.

## 3. Order acceptance, order basis

3.1. If an order is placed with VOGLAUER, a contract is only entered into when VOGLAUER confirms the order in writing or delivers the goods or sends the invoice. The customer is obliged to provide all required documents completely and correctly when placing the order. Any additional costs due to discrepancies between the actual circumstances and the documents or plans provided by the customer as well as additional costs due to late delivery of the documents are to be borne by the customer. Changes may only be made to the order after acceptance by mutual agreement and in writing.

3.2. If at the time of the order being placed, the ordered goods are not fully specified in detail (especially their technical design), a preliminary order confirmation will be issued. The customer is obliged to provide sufficient details of the order in a timely manner (notification of actual measurements) to ensure that agreed delivery times can be met. Upon the provision of details a final order acknowledgement is issued by which the subject matter of the contract becomes binding, unless the customer expressly immediately dissent in writing. Should this happen, the delivery contract remains valid, in accordance with the preliminary order confirmation. If an order is changed after a preliminary order confirmation, prices will be adjusted in accordance with a preceding cost estimate if need be.

## 4. Shipping, delivery

4.1. Unless otherwise agreed, the delivery of goods is free of charge. The goods are unloaded from the arriving means of transport and made available to the contracting party at the place designated for unloading, i.e. either in the loading dock or consignment area. Transport insurance shall only be arranged at the customer's explicit request. Any resulting costs shall solely be borne by the customer. If not specified otherwise in writing, the risk of price is passed to the customer upon the dispatch of the goods, in the event of a delay in acceptance caused by the customer, after VOGLAUER's notification of readiness of dispatch.

4.2. The selection of the place of delivery and of the route and means of transport is made by VOGLAUER, in the absence of any written agreement to the contrary, to the best of their judgment, and without liability for the cheapest and fastest transport. Specified delivery times are not binding, unless otherwise expressly agreed in writing.

4.3. The agreed delivery period will generally commence on the day of the order confirmation. If at this moment in time (starting point of the period) the documentation required for production, such as in particular actual measurements, has not been made available to VOGLAUER, the course of the delivery period shall commence on the day where the final documentation required for production has been received by VOGLAUER. The customer is obliged to transmit such documentation promptly. Delivery dates (delivery deadlines) shall be extended by installation delays not caused by VOGLAUER. Should the customer have to make an advance payment, then the delivery period shall not start before the day before the advance payment has been received.

4.4. Should the customer be in delay of acceptance of the delivery item – even if not at fault himself – VOGLAUER has the right to raise the usual storage charge; in addition, VOGLAUER is entitled to withdraw from the delivery contract and the customer is obliged to pay the difference between the agreed price and the expected revenue from the realisation of the deliverable goods. In cases where installation is part of the agreement, the customer is obliged to accept the contractual items after completion of the installation after a site inspection of the contractual goods. The provisions on creditor default apply where acceptance is refused.

4.5. Should VOGLAUER fail to meet delivery dates by more than 3 weeks, customers have the right to withdraw from the contract after a reasonable period of grace has been set. Should the delivery period be exceeded due to operational reasons which are beyond the control of VOGLAUER even when exercising the diligence of a prudent business management (in particular strikes, operational breakdowns, shortage of raw materials, but also cases of force majeure such as epidemics and epidemics leading to plant closures ("lockdown" etc.), the customer is only entitled to withdraw from the contract when the delivery period of 2 months is exceeded and an appropriate grace period is granted.

4.6. To ensure an efficient and reasonable delivery to the contracting party by VOGLAUER, the parties shall agree that for delivery and unloading the standards for unloading, as issued by the Future Institute Furniture Logistics (ZIMLOG) in their current version, shall apply. These are available for downloading online under [www.dcc-moebel.org/zimlog.html](http://www.dcc-moebel.org/zimlog.html) or can be sent in text form to the contracting party on request.

4.7. VOGLAUER is entitled to deliver in excess or below the contracted quantity. In the case of a delivery carried out to the extent as described above, the contracting party is not entitled to refuse acceptance.

4.8. If in individual cases, a contractual penalty has been agreed between the supplier and the contracting party, this can only be enforced if upon accepting the goods the contracting party has expressed their reservation in writing.

4.9. A contractual penalty provision must be sent directly to VOGLAUER. VOGLAUER's employees, drivers or any other third parties are not entitled to accept any contractual penalty provision.

## 5. Withdrawal from contract

5.1. If the customer does not fulfil their contractual obligations or does not meet them in full, VOGLAUER is entitled to withdraw from the contract. The right to withdraw from the contract can also be exercised with regard to a part of the delivery item. In such a case VOGLAUER is obliged to deliver the part of the delivery item not affected by the withdrawal and the customer is obliged to pay for this part.

5.2. If VOGLAUER exercises its right of withdrawal for reasons for which the customer is responsible, even if the customer is not at fault, or if the customer withdraws from the contract without being entitled to do so, the customer must pay for the advance services corresponding to the proportionate order value which have already been rendered within the scope of contract performance (e.g. planning services, procurement of materials, special services, work expenses and the like). VOGLAUER is entitled to claim a lump sum for preliminary work calculated at 25% of the order value without having to provide specific proof of individual services rendered. The costs of custom-made products already produced are to be fully

reimbursed less assembly and delivery costs.

## 6. Assembly

6.1. The customer must ensure that installation can be carried out without delay; in particular that the fitters are not impeded by other trespassers. Furthermore, the rooms to be furnished in the assembly area must be kept ready, heated if necessary, cleaned, sufficiently illuminated and provided with an electrical connection. The costs for electricity and water consumption shall be borne by the customer. Carpets must be made non-slip by the customer and adequately covered to protect against dirt and damage.

6.2. If, in the course of installation, mounting is required on fixtures belonging to the customer or third parties (e.g. fastening to the masonry by drilling or mortising), the customer is obliged to draw VOGLAUER's attention to potential hazards before commencing work, in particular the exact course of electricity, gas, water and other pipeline systems must be pointed out.

6.3. VOGLAUER is not obliged to examine the properties of the walls or objects to which fixings are to be made during installation. However, the customer is obliged to inform VOGLAUER about properties of the walls or objects which could compromise a straightforward and problem-free installation. Any additional costs arising from unexpected properties of the walls or objects shall be borne by the customer.

6.4. Additional costs for overtime and installation delays caused by the customer as well as work not included in the order confirmation or work resulting from defective stock will be charged separately. Fine cleaning of the premises after assembly is to be carried out by the customer at their own expense. Unless otherwise agreed in the contract, the installation services offered by VOGLAUER do not include the installation and connection of any types of electrical appliances or lighting fixtures. Unless otherwise agreed, this work shall be commissioned separately by the customer at their own expense to be carried out by an appropriately authorised contractor. Packaging material must be disposed of by the customer at their own expense.

6.5. VOGLAUER is not obliged to examine the properties of walls or objects to which fixings are to be made during installation. However, the customer is obliged to inform VOGLAUER about properties of the walls or objects which could compromise a straightforward and trouble-free installation. Any additional costs arising from unexpected properties of walls or objects shall be borne by the customer.

6.6. Additional costs for overtime and installation delays caused by the customer as well as work not included in the order confirmation or work resulting from defective stock will be charged separately. This would also apply if VOGLAUER had offered fitting as a lump sum or for free as discount.

6.7. The fine cleaning of the premises after assembly is to be carried out by the customer at their own expense. Unless otherwise agreed in the contract, the installation services offered by VOGLAUER do not include the installation and connection of any type of electrical appliances or lighting fixtures. Unless otherwise agreed, this work shall be commissioned separately by the customer at their own expense to be carried out by an appropriately authorised contractor. Packaging material must be disposed of by the customer at their own expense.

## 7. Complaints

The customer is required to examine the goods delivered for any defects without undue delay, i.e. within eight calendar days at the latest. Incomplete or incorrect deliveries as well as immediately apparent defects must be reported to VOGLAUER in writing immediately after receipt of goods; defects or errors which are not immediately apparent must be notified as soon as they are discovered. The notification must clearly indicate the nature and extent of the alleged defect. If defects and errors are not notified promptly, the delivery shall be deemed to have been accepted and correct and no warranty claims may be made.

The customer fulfils his obligation to check and give notice of defects by checking the goods for visible quantitative or qualitative deviations using appropriate methods (please see following "Appropriate Testing Methods"). Appropriate testing methods are the following, although this is not an exhaustive list: (i) the checking of the delivered quantity of goods, (ii) the visual inspection of the packaging and (iii) the inspection of visible damages caused by transport or other matters. Obvious defects shall be notified by the contracting party within a period of two working days. The timely dispatch of the notice of defects shall suffice to comply with this deadline. Each notice of defects shall only be effective when provided in writing.

## 8. Warranty

VOGLAUER guarantees the delivered goods for a period of one year from the date of delivery. The warranty period for electrical appliances and lighting supplied by VOGLAUER is six months.

Warranty claims shall be subject to the customer complying with their duties of inspection and notification of defects. Should a customer fail in his duty to inspect and/or fail to meet the notification deadline, VOGLAUER's liability shall be excluded for defects not notified as above.

In cases of justified and timely notification of defects, VOGLAUER will, reasonably taking into account customer's interests, provide warranty by improvement, price reduction or replacement (exchange) or take back the goods refunding the purchase price. VOGLAUER reserves the right to choose the respective warranty remedy. If VOGLAUER does not fulfil their warranty obligations within a reasonable period of time, the customer is entitled to a reasonable price reduction or to withdraw from the contract. Activities undertaken by VOGLAUER resulting from unjustified notifications of defects shall be considered as a contractual service for which the customer has to pay.

In particular, the warranty does not apply;

- in the case of goods provided by the customer;
- in the case of damages resulting from structural defects (e.g. masonry, building moisture, building defects (e.g. defective masonry, building moisture, building defects, etc.);
- in the case of compatibility of the materials used by VOGLAUER with other parts and properties of the room to be furnished, e.g. externally provided furnishings, light colours, heating and the like;
- in the case of deformation and cracking of solid wood used;
- to the function of the delivered item and the suitability of the material used if the construction was designed by the customer or their authorised representative (e.g. architect);
- in the case of slight variations in the colours and surface or veneer structure of individual items delivered;
- the facts included in the VOGLAUER Furniture Quality Pass or the VOGLAUER manufacturer warranty declaration.

## 9. Disclaimer

9.1. VOGLAUER is only liable for damages outside the scope of application of the Product Liability Act if VOGLAUER is guilty of intent or gross negligence. Liability for slight negligence is excluded as well as compensation for consequential damage and financial loss, loss of profit, loss of interest and damage from third-party claims against the customer.

9.2. Within the scope of application of the Product Liability Act, VOGLAUER is liable for personal injury as well as for material damage suffered by a consumer. VOGLAUER is not liable for material damage suffered by a person in business. Furthermore, § 924 sentence 2 of the Austrian Civil Code (ABGB) and the recourse of the customer according to § 933b of the Austrian Civil Code (ABGB) is excluded. Claims for damages become statute-barred three years after delivery.

9.3. Furthermore, the contracting parties mutually waive all claims for damages insofar as these are covered by an insurance policy of the injured party. This waiver shall not apply to damages caused intentionally or through gross negligence or to the extent that the insurer would not be liable as a result of such waiver.

9.4. Locking devices and safes supplied by VOGLAUER do not constitute burglary and theft protection devices, so claims for damages in this respect are excluded. Any burglary and theft protection must therefore always be provided by the customer themselves at their own risk and expense and VOGLAUER accepts no liability for the contents locked in such devices.

## 10. Payment

10.1. Invoices for deliveries of goods shall be paid in accordance with the respective agreements made. Unless otherwise agreed, the customer shall pay one third

of the amount stated in the order confirmation as a down-payment promptly after placing the order, one third 2 weeks before delivery readiness and the remaining amount from the supply contract immediately after invoicing, in all cases without deduction. Unless different payment terms have been agreed in writing between the contracting parties, payments of the invoice amounts are due without deduction immediately upon receipt of the invoice. Bills of exchange or cheques shall only be accepted by specific written agreement as a means of payment. Discount and bill charges shall be borne by the customer and are due immediately. The customer acknowledges that VOGLAUER's sales representatives are not entitled to collect payments.

10.2. In the event of default in payment, it is agreed that default interest in the amount of 9.2% above the base interest rate shall be due. The customer may not offset any amounts due, unless with claims acknowledged by VOGLAUER in writing or legally established.

10.3. Should the customer no longer be able to engage in proper business operations, should enforcement proceedings be instigated, should a cheque or bill of exchange be protested, should payments be delayed or suspended, should the customer apply for judicial or extrajudicial rehabilitation proceedings or should insolvency proceedings be instituted, opened or an application for insolvency be rejected due to insufficient assets to recover costs, VOGLAUER is entitled to declare all claims arising from the business relationship immediately due and payable, even should bills of exchange or cheques be accepted or payment by instalments be granted. The same applies if the customer is in arrears with their payments or other circumstances become known which have an adverse effect on their creditworthiness.

10.4. The customer is not entitled to withhold payments due to alleged defects unless the defects and the amount of the amounts to be withheld have been acknowledged by VOGLAUER in writing or determined by court. The customer may not assign their claims against VOGLAUER to third parties and rights and obligations arising from contracts entered into may not be similarly assigned without prior written consent from VOGLAUER.

10.5. VOGLAUER is entitled to assign claims against the contracting party arising from deliveries or services to third parties (e.g. a bank or a factoring party) to the full extent permitted by applicable law. The contractual partner shall allow data to be forwarded to third parties for the purpose of the collection of the claims.

## 11. Retention of title

11.1. The delivered goods remain VOGLAUER's property until the customer has fully met their obligations, in particular payment of the purchase price including incidental costs and interest, fees, expenses, etc.

11.2. Deliveries performed for a specific construction project which are included in the same order form a single order, even when ordered, delivered and invoiced (partial invoice) in separate stages. In this case, the retention of title to all goods delivered for the respective construction project only expires when all claims from the uniform order are settled.

11.3. The customer may only resell goods delivered which are subject to retention of title if they are dedicated as commercial goods or if the retention of title has expired through payment or VOGLAUER expressly agrees. If the goods are resold, the customer assigns proceeds from the sale of the reserved goods to VOGLAUER. The customer is obliged to indicate the assignment by suitable entries in their accounting records and, at VOGLAUER's request, to disclose the names of the corresponding debtors as well as to specify the ceded claims in detail. Subject to this, VOGLAUER accepts the assignment. Any fees and/or taxes in connection with the assignment shall be borne by the customer and they shall indemnify and hold VOGLAUER harmless in this respect. VOGLAUER is entitled at any time to disclose the assignment and to collect the assigned claims itself.

11.4. The customer is obliged to keep the reserved goods insured to an adequate extent at all times against the usual risks such as natural hazards and to provide evidence of this to VOGLAUER upon request. The customer hereby assigns proceeds from possible insurance claims to VOGLAUER. Furthermore, the customer is obliged to store the goods in accordance with the instructions of VOGLAUER using state-of-the-art technology. Customers must handle the goods with due care and attention until the title is transferred to them.

11.5. VOGLAUER must be notified immediately of access by third parties to VOGLAUER's reserved property (seizure or description by way of pledge, other court and/or official orders). The customer must provide whatever support VOGLAUER may reasonably require in protecting VOGLAUER's rights in respect of the reserved property and to bear the associated costs, insofar as they are responsible for endangering VOGLAUER's reserved property.

11.6. In the event that the reserved goods are combined or mixed with other items, VOGLAUER shall be entitled to co-ownership of the new item in the ratio of the value of the reserved goods to the value of the other item at the time of combination or mixing. If the new item thus created is resold, the customer assigns the exact pro-rata purchase price from the resale to VOGLAUER in the sense of the above-mentioned stipulation.

## 12. Intellectual property

12.1. Trademarks, representations, as well as the associated drawings, plans and descriptions are VOGLAUER's intellectual property and may neither be reproduced nor made accessible to third parties without VOGLAUER's written consent.

## 13. Advertisement

13.1. It is agreed that objects furnished by VOGLAUER may be used by VOGLAUER for advertising purposes (reference lists, brochures, press releases, etc.) stating the name of the customer as well as using pictures of the furnished object. In this context, the customer grants VOGLAUER the right to take photographs of furnished objects.

## 14. Force majeure

14.1. Events of force majeure which affect VOGLAUER or one of its suppliers entitle VOGLAUER to suspend deliveries for the duration of the hindrance and a further reasonable start-up time without falling into arrears or withdrawing from the contract in whole or in part according to their effects.

Events of force majeure include, but are not limited to: all impacts of natural disasters, such as earthquakes, lightning, frost, storm, floods; in addition war, epidemics and epidemics, laws, official interventions (e.g. laws and regulations issued to prevent the spread of COVID-19 and the resulting restrictions "lockdown"), confiscation, transport disruptions, export, import and transit bans, international payment restrictions, loss of raw materials and energy; further, interruptions such as explosion, fire, strikes, sabotage; and all other events that could only be prevented at disproportionate cost and by economically unreasonable means.

## 15. Consent under data protection law

15.1. The customer expressly agrees that VOGLAUER may collect, process and use personal data provided by the customer, or which may be provided in the future, for marketing purposes e.g. by creating a customer file. This consent includes in particular the transmission of information for the purpose of advertising by fax, letter, email or any other method of transmission. This consent may be revoked by the customer at any time with future effect.

## 16. Final provisions

16.1. Austrian law shall apply with the exception of the conflict of legal provisions and the UN Convention on Contracts for the International Sale of Goods. The place of jurisdiction for all disputes arising directly or indirectly from the contract shall be the competent court in the provincial capital of Salzburg. The place of performance for delivery and payment is VOGLAUER's registered office.

16.2. Should any of these terms and conditions be wholly or partially invalid, the validity of the remaining provisions shall not be affected. The wholly or partially invalid provision is to be replaced by whatever provision comes closest to the intended purpose of the invalid provision.

16.3. All amendments and supplements to contracts between VOGLAUER and the customer must be made in writing and this also applies to departures from the written requirement. All declarations on the part of VOGLAUER are only legally effective if they are made in writing and by employees of the VOGLAUER principal office in Abtenau, Austria.

Version released on 2 October 2020.

# ALL VOGLAUER MODELS

## LIVING / DINNING



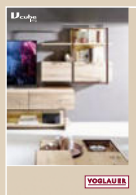
Valpin **NEW!**



Vmontanara



Vorgano living

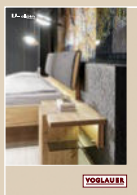


Vcuben living

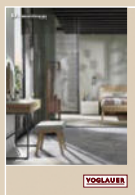


Vrock living **NEW!**

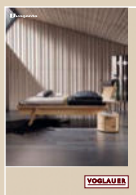
## SLEEPING



Valpin **NEW!**



Vmontanara sleeping



Vvaganto

## HALL



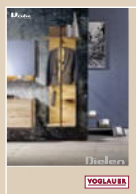
Valpin **NEW!**



Vmontanara



Vorgano coming



Vcuben coming

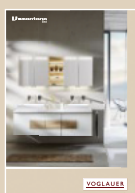


Vrock coming

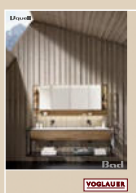
## BATH



Valpin **NEW!**



Vmontanara **NEW!**

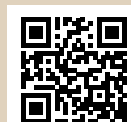


Vquell

## CERTIFICATIONS & AWARDS



**VOGLAUER**



www.voglauer.com