

VOGLAUER

echt:
alpin
design



**V/alpin
living**

LIST OF TYPES
(valid from 1. July 2025)

Please always indicate the following specifications:

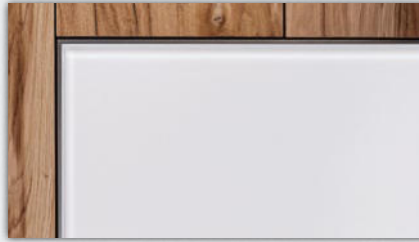
MODEL: AL | V/alpin

WOOD:



EA | Old oak / oiled

ACCENT (FRONT): COLORGLASS



O | optiwhite



A | anthracite

COVER MATERIALS:

(please specify code and colour designation)

PRICE GROUP S2

NOVA



NN natur



NK kiesel



NC clay



NG graphit



NS schiefer



NL liver



NO olive



NA aqua



NP petrol

PRICE GROUP S4

CURL



CN natur



CM melange



CS steele



CO olive



CW warm grey



CT timber



CD dark blue



CR royal red



CB black

CHALET



CP perl



CK kiesel



CU umbragrau



CV vidalschwarz



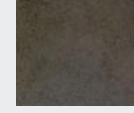
VQ quarz



VB bronze



VT terra



VM moor

VINTAGE

SELECT



SN natur



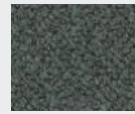
SU umbra



SB basaltbraun



SS schwarz



SM mineralblau



SK kupfer



SH honiggelb



MG grauweiß

LODEN



MB basaltgrau

PRICE GROUP L3

LEDER MONTAN



LR reinweiß



LW sahne



LO coco



LK kiesel



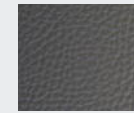
LA azurblau



LV cognac



LM stone



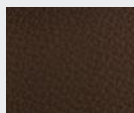
LP cenere



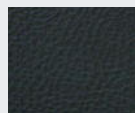
MT tundra Braun



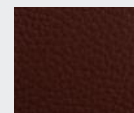
LY ziegelrot



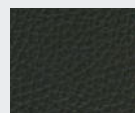
LU caffè



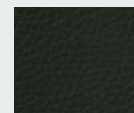
LL oceano



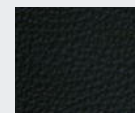
LX burgundy



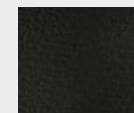
LN anthrazit



LZ army green



LS schwarz



LT testa di moro

VOGLAUER - Zertifiziert & Ausgezeichnet

Voglauser Gschwandtner & Zwilling GmbH · 5441 Abtenau · Austria · FN 39238d · Landesgericht Salzburg



Construction / loading capacities:

Carcass / construction shelves:	Carpenterboard veneered with real wood		
Fronts / top panels:	coreboard veneered in genuine wood with end-grain edging, cubes end grain veneer		
Akzent:	Colored glass satinized		
Shelves:	Behind wooden doors solid oak 13 mm, behind transparent front glasses glass shelves 8 mm (Parsol bronze)		
Transparent front glass panels and glass shelves:	toughened safety glass - Parsol bronze		
Drawers:	dovetailed solid wooden drawers (oak) with concealed, easy-action fully extending pull-out		
Front profiles / handles:	Aluminum stainless steel effect anodized (EL02)		
Stone cubes:	Genuine quartzite slate (cut with water jet into thin stone veneers and glued with carpenter's board)		
Tables:	Top: Coreboard veneered in genuine wood or solid wood - hard-wearing wood surface made of a lacquer-wax mixture with a natural feel. Frame: solid wood		

Loading capacities:	Glass shelves 6 mm:	max. 5 kg	Drawers up to 80 cm wide:	max. 10 kg
	Glass shelves 8 mm:	max. 10 kg	drawers over 80 cm wide:	max. 25 kg
	wooden shelves:	max. 15 kg	chairs:	max. 110 kg
	Hanging units:	ld. Type list		

Lighting (optional)

All lighting systems are permanently installed and wired into the furniture by VOGLAUER. Each illuminated element has its own control gear or transformer and a main power cable (approx. 2.5 m) with EURO plug.

ON/OFF either by:

- internal mini rocker switch
- wireless switch and dimmer (each furniture element is supplied with its own wireless transmitter handset - (several lights can be programmed to operate from one handset at any later date)

Power/consumption: LED spot: 2 watts/pc, COB LED strip with continuous phosphor layer: 5 watts/pc, LED glass channel (Q-Line): 7 watts/metre

Energy consumption labelling: The following applies to all VOGLAUER furniture with lighting: „This product contains a light source of energy efficiency class F“. The light sources and the associated control gear can only be replaced by qualified personnel.

Wood-based materials - indoor climate:

Despite meticulous craftsmanship, wood is a living raw material that reacts to changes in humidity and adapts to the prevailing climate. This may unavoidably result in colour and texture variations, minor cracks, slight warping or open knots. An ideal indoor climate for furniture is between approx. 18-23 °C as well as 45-55 % humidity. To reduce warping or cracks to a minimum, solid wooden furniture should be exposed to the smallest possible fluctuations in temperature or humidity.

Oiled wooden surfaces:

Our hard oil/wax combinations based on vegetable oil meet the highest environmental standards and are on a par with organic products. The oiled surface is breathable and improves the indoor climate. The surface is antistatic, i.e. dust and dirt-repellent.

Care of oiled surface: to maintain the value of oiled furniture from VOGLAUER, re-oiling is recommended every 6-8 months. Apply a thin coat of VOGLAUER care oil („care oil“ - see accessories) with a soft and non-lining cloth, rubbing evenly in the direction of the fibres. Afterwards, polish with a dry cotton cloth. The surface takes on a silky gloss and feels velvety soft.

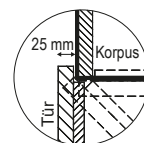
Furniture cover materials:

- **Loden** fabric made of 100 % pure new wool
- **Vintage** fabric made of 100 % microfibre (PES)
- Sturdy soft **nappa cowhide** with scar pattern and distinctive mill grain.
- **Select** fabric made from blended fabric (29% PES, 27% PAN, 22% CV, 13% WO, 9% recycled polyethylene (RPET)
- **Curl** fabric made of easy-care Q2-Hitex® yarns (74% PAN, 26 % PES)
- **Chalet** fabric made of easy-care Q2-Hitex® yarns (58% PAN, 42 % PES)
- **Nova**-fabric top: 96% recycled polyethylene (RPET) / 4% nylon (NY), underside: 100%

The production or processing of fabrics and leather involves many work steps which is why slight colour variations in the end product cannot be avoided. It is particularly important to bear this in mind when comparing samples and actual furniture. Puckering is a natural process and therefore no reflection of any reduction in quality. It results from using or stretching of cover materials.

Important planning information:

- To ensure proper fulfilment of the contract, all structural conditions, obstructions, dimensions and loads must be identified when ascertaining what is required.
- Identify the preliminary electrical work that is required for wiring and for connecting appliances (freely suspended lighting systems require surface-mounted or concealed cable ducting solutions). Each illuminated element has a separate mains power cable (approx. 2.5 m) with EURO plug. The mains power connection for lighting (socket, cable outlet) can be provided in the entire rear panel area of cabinet furniture (rear-panel clearance approx. 23 mm).
- Door hinges are nickel-plated and adjustable in 3 directions. However, for exact door fit, it is essential for furniture to be standing on a level and even floor; unevenness can be corrected with adjustable furniture feet. Some carcass units with hinged doors can only be fitted with wall clearance on the hinge side as shown in the sketch, as the doors protrude when opened due to the design (indicated for the respective type).
- All dimensions stated in the product guide are theoretical approximate dimensions and may diverge from actual dimensions, especially as a result of cumulative tolerances. Handle or other insignificant component projections are not included in the overall dimensions.



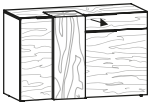
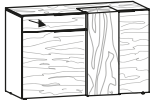
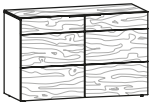
Installing furniture

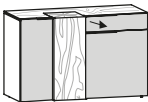
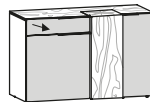
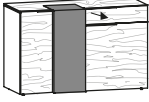
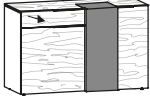
On account of the large doors and fully extending drawers, free-standing elements must also be fixed to the wall to prevent them from tipping forward. VOGLAUER supplies the appropriate mounting accessories for solid brickwork or masonry. For stud walls, specialist fitters must obtain suitable wall plugs screws themselves. VOGLAUER assumes no liability for installation!

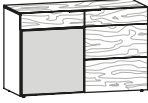
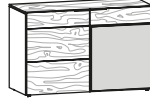
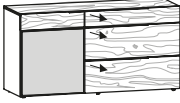
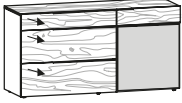
All furniture is assembled and customised by VOGLAUER at the factory. Bulky furniture can be dismantled for assembly purposes or is delivered in disassembled form. VOGLAUER

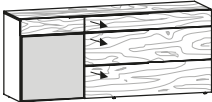
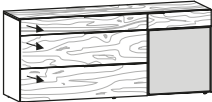
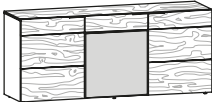
VOGLAUER furniture quality certificate:

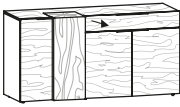
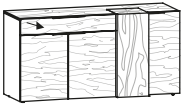
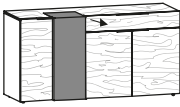
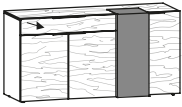
When buying VOGLAUER furniture, the VOGLAUER Furniture Quality Pass is handed over (online download: www.voglauder.com). A comprehensive documentation specifying the 5-year warranty and containing many important information such as instructions for use and care.

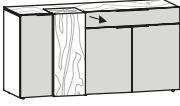
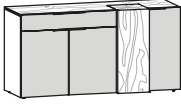
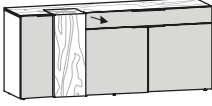
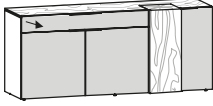
	left and right 1 adjustable shelf  WD/H in cm: 128 / 54,9 / 82	left and right 1 adjustable shelf  WD/H in cm: 128 / 54,9 / 82	Doors protrude on hinge side when opened (3 cm clearance from wall must be allowed) 1 adjustable shelf  WD/H in cm: 128 / 51,6 / 82	
Description	Sideboard 128 with cube, 2 doors, 1 drawer, LH version	Sideboard 128 with cube, 2 doors, 1 drawer, RH version	Sideboard 128, 2-door	
Item number	AS12K-L	AS12K-R	AS12T	

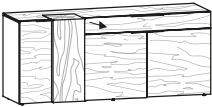
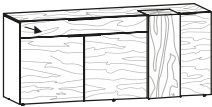
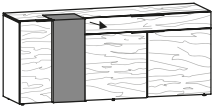
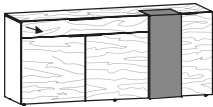
	left and right 1 adjustable shelf  WD/H in cm: 128 / 54,9 / 82	left and right 1 adjustable shelf  WD/H in cm: 128 / 54,9 / 82	left and right 1 adjustable shelf  WD/H in cm: 128 / 54,9 / 82	left and right 1 adjustable shelf  WD/H in cm: 128 / 54,9 / 82
Description	Sideboard 128 with cube, accent, 2 doors, 1 drawer, LH version	Sideboard 128 with cube, accent, 2 doors, 1 drawer, RH version	Sideboard 128 with stone cube, 2 doors, 1 drawer, LH version	Sideboard 128 with stone cube, 2 doors, 1 drawer, RH version
Accent	optiwhite anthracite	optiwhite anthracite	---	---
Item number	AS12KA-O-L AS12KA-A-L	AS12KA-O-R AS12KA-A-R	AS12S-L	AS12S-R

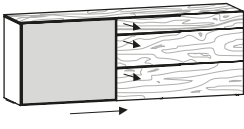
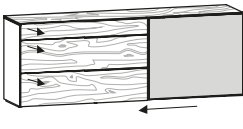
Doors protrude on hinge side when opened (3 cm clearance from wall must be allowed)	1 adjustable shelf  WD/H in cm: 128 / 51,6 / 82	1 adjustable shelf  WD/H in cm: 128 / 51,6 / 82	left 1 adjustable shelf  WD/H in cm: 160 / 51,6 / 82	right 1 adjustable shelf  WD/H in cm: 160 / 51,6 / 82
Description	Sideboard 128, 2-door, with accent, LH version	Sideboard 128, 2-door, with accent, RH version	Sideboard 160, 3 drawers, 1 door with accent, LH version	Sideboard 160, 3 drawers, 1 door with accent, RH version
Accent	optiwhite anthracite	optiwhite anthracite	optiwhite anthracite	optiwhite anthracite
Item number	AS12A-O-L AS12A-A-L	AS12A-O-R AS12A-A-R	AS16L-O-L AS16L-A-L	AS16L-O-R AS16L-A-R

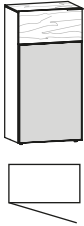
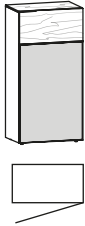
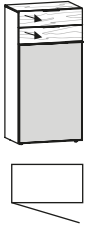
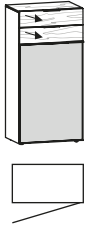

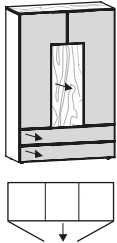
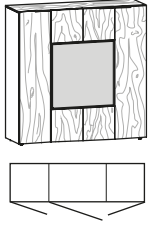
Doors protrude on hinge side when opened (3 cm clearance from wall must be allowed)	left 1 adjustable shelf  WD/H in cm: 192 / 51,6 / 82	right 1 adjustable shelf  WD/H in cm: 192 / 51,6 / 82	left 1-door: 1 adjustable shelf right 2-doors: 1 adjustable shelf  WD/H in cm: 192 / 51,6 / 82	
Description	Sideboard 192, 3 drawers, 1 door with accent, LH version	Sideboard 192, 3 drawers, 1 door with accent, RH version	Sideboard 192 with accent, 3 doors	
Accent	optiwhite anthracite	optiwhite anthracite	optiwhite anthracite	
Item number	AS19L-O-L AS19L-A-L	AS19L-O-R AS19L-A-R	AS19T-O AS19T-A	

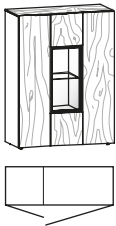
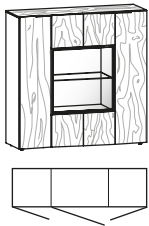
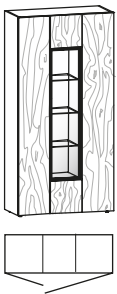


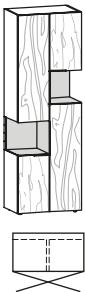
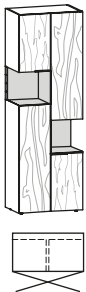
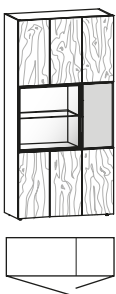
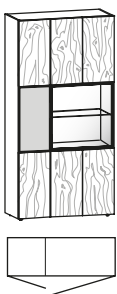
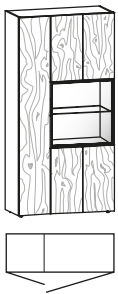
	left and right 1 adjustable shelfe	left and right 1 adjustable shelfe	left and right 1 adjustable shelfe	left and right 1 adjustable shelfe
				
	W/D/H in cm: 160 / 54,9 / 82	W/D/H in cm: 160 / 54,9 / 82	W/D/H in cm: 160 / 54,9 / 82	W/D/H in cm: 160 / 54,9 / 82
Description	Sideboard 160 with cube, 3 doors, 1 drawer, LH version	Sideboard 160 with cube, 3 doors, 1 drawer, RH version	Sideboard 160 with stone cube, 3 doors, 1 drawer, LH version	Sideboard 160 with stone cube, 3 doors, 1 drawer, RH version
Item number	AS16K-L	AS16K-R	AS16S-L	AS16S-R




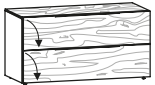
	left and right 1 adjustable shelfe	left and right 1 adjustable shelfe	left and right 1 adjustable shelfe	left and right 1 adjustable shelfe
				
	W/D/H in cm: 160 / 54,9 / 82	W/D/H in cm: 160 / 54,9 / 82	W/D/H in cm: 192 / 54,9 / 82	W/D/H in cm: 192 / 54,9 / 82
Description	Sideboard 160 with cube, accent, 3 doors, 1 drawer, LH version	Sideboard 160 with cube, accent, 3 doors, 1 drawer, RH version	Sideboard 192 with cube, accent, 3 doors, 1 drawer, LH version	Sideboard 192 with cube, accent, 3 doors, 1 drawer, RH version
Accent	optiwhite	anthracite	optiwhite	anthracite
Item number	AS16KA-O-L AS16KA-A-L	AS16KA-O-R AS16KA-A-R	AS19KA-O-L AS19KA-A-L	AS19KA-O-R AS19KA-A-R



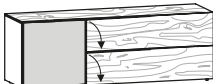
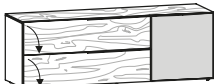
	left and right 1 adjustable shelfe	left and right 1 adjustable shelfe	left and right 1 adjustable shelfe	left and right 1 adjustable shelfe
				
	W/D/H in cm: 192 / 54,9 / 82	W/D/H in cm: 192 / 54,9 / 82	W/D/H in cm: 192 / 54,9 / 82	W/D/H in cm: 192 / 54,9 / 82
Description	Sideboard 192 with cube, 3 doors, 1 drawer, LH version	Sideboard 192 with cube, 3 doors, 1 drawer, RH version	Sideboard 192 with stone cube, 3 doors, 1 drawer, LH version	Sideboard 192 with stone cube, 3 doors, 1 drawer, RH version
Item number	AS19K-L	AS19K-R	AS19S-L	AS19S-R

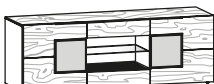
	left 1 adjustable shelf	right 1 adjustable shelf	
			
	W/D/H in cm: 224 / 51,6 / 82	W/D/H in cm: 224 / 51,6 / 82	
Description	Sideboard 224, 1 sliding door, 3 drawers, LH version	Sideboard 224, 1 sliding door, 3 drawers, RH version	
Accent	optiwhite	anthracite	
Item number	AS22L-O-L AS22L-A-L	AS22L-O-R AS22L-A-R	

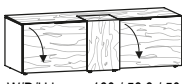
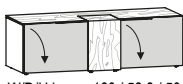
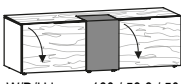
	Doors protrude on hinge side when opened (3 cm clearance from wall must be allowed)		Doors protrude on hinge side when opened (3 cm clearance from wall must be allowed)		2 shelves		2 shelves	
	3 shelves		3 shelves					
								
	W/D/H in cm: 64 / 42,3 / 130		W/D/H in cm: 64 / 42,3 / 130		W/D/H in cm: 64 / 42,3 / 130		W/D/H in cm: 64 / 42,3 / 130	
Description	Highboard 64, 1-door with accent, door mounted on left		Highboard 64, 1-door with accent, door mounted on right		Highboard 64, 2 drawers, 1 door with accent, door mounted on left		Highboard 64, 2 drawers, 1 door with accent, door mounted on right	
Accent	optiwhite	anthracite	optiwhite	anthracite	optiwhite	anthracite	optiwhite	anthracite
Item number	AH64T-O-L	AH64T-A-L	AH64T-O-R	AH64T-A-R	AH64TL-O-L	AH64TL-A-L	AH64TL-O-R	AH64TL-A-R
			1 fixed shelf each at the top 1 shelf on each outer side centre, drawer-stack pull-out (3 drawer carcasses) 2 drawers at bottom 		3 adjustable glass shelves each 			
	W/D/H in cm: 64 / 42,3 / 130		W/D/H in cm: 96 / 42,3 / 146,2		W/D/H in cm: 128 / 42,3 / 130			
Description	Highboard 64, 5 Laden, Akzent		Highboard 96, with pharmacist-drawer		Highboard 128, 3-door with accent			
Accent	optiwhite	anthracite	optiwhite	anthracite	optiwhite	anthracite		
Item number	AH64L-O	AH64L-A	AH96A-O	AH96A-A	AH12A-O	AH12A-A		

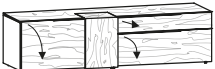

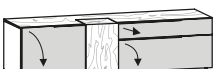
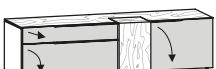
	left 3 adjustable shelves each right 2 fixed-, 1 adjustable shelf each	left and right 3 adjustable shelves each centre 2 fixed-, 1 adjustable shelf	left 5 adjustable shelves right 2 fixed-, 3 adjustable shelves each	
				
	W/D/H in cm: 96 / 42,3 / 130	W/D/H in cm: 128 / 42,3 / 130	W/D/H in cm: 96 / 42,3 / 194	
Description	Highboard 96, 2-door with glass display section	Highboard 128, 3-door with glass display section	Glass cabinet 96, 2-door	
Item number	AH96G	AH12G	AV96H	
Surcharge for lighting with switch		(A-LS2)		(A-LS4)
Surcharge for lighting with radio and dimmer		(A-LF2)		(A-LF4)
	1 fixed shelf each at the top and bottom middle 3 adjustable shelves each	1 fixed shelf each at the top and bottom middle 3 adjustable shelves each	above and below 2 fixed-, 1 adjustable shelves	above and below 2 fixed-, 1 adjustable shelves
				
	W/D/H in cm: 64 / 42,3 / 194	W/D/H in cm: 64 / 42,3 / 194	W/D/H in cm: 64 / 42,3 / 194	W/D/H in cm: 64 / 42,3 / 194
Description	Glass cabinet 64, 1-door, door mounted on left	Glass cabinet 64, 1-door, door mounted on right	Display cabinet 64, 2 doors, accent niche, LH version	Display cabinet 64, 2 doors, accent niche, RH version
Accent	--	--	optiwhite anthracite	optiwhite anthracite
Item number	AV64G-L	AV64G-R	AV64A-O-L AV64A-A-L	AV64A-O-R AV64A-A-R
Surcharge for lighting with switch		(A-LS4)		(A-LS2S)
Surcharge for lighting with radio and dimmer		(A-LF4)		(A-LF2S)
	Left 2 fixed-, 3 adjustable shelves right 5 adjustable shelves	left 5 adjustable shelves right 2 fixed-, 3 adjustable shelves	Left 2 fixed-, 3 adjustable shelves right 5 adjustable shelves	left 5 adjustable shelves right 2 fixed-, 3 adjustable shelves
				
	W/D/H in cm: 96 / 42,3 / 194	W/D/H in cm: 96 / 42,3 / 194	W/D/H in cm: 96 / 42,3 / 194	W/D/H in cm: 96 / 42,3 / 194
Description	Display cabinet 96 with accent, 2-door, LH version	Display cabinet 96 with accent, 2-door, RH version	Glass cabinet 96, 1 glass door, 1 wooden door, LH version	Glass cabinet 96, 1 glass door, 1 wooden door, RH version
Accent	optiwhite anthracite	optiwhite anthracite	--	--
Item number	AV96A-O-L AV96A-A-L	AV96A-O-R AV96A-A-R	AV96G-L	AV96G-R
Surcharge for lighting with switch			(A-LS2)	
Surcharge for lighting with radio and dimmer			(A-LF2)	

	For cable routing below No rear wall (14.6 cm free)	For cable routing below No rear wall (14.6 cm free) 1 middle side (width 93+61 cm)	For cable routing below No rear wall (14.6 cm free) 1 middle side (width 61+125 cm)	For cable routing Rear wall air 8.4 cm
	 W/D/H in cm: 128 / 55 / 34	 W/D/H in cm: 160 / 55 / 34	 W/D/H in cm: 192 / 55 / 34	 W/D/H in cm: 128 / 55 / 66
Description	Lowboard 128/34, 1 flap	Lowboard 160/34, 1 flap	Lowboard 192/34, 1 flap	Lowboard 128/66, 2 flaps
Item number	AL12	AL16	AL19	ALH12
Surcharge drawer 128 instead of flap	(A-S12)	---	---	(A-S12)*
Surcharge double drawer ad of flap	--	(A-S16)	(A-S19)	---
Surcharge cable management	(A-K)			

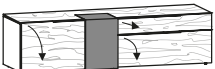
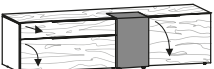
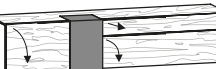
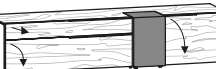
Doors protrude on hinge side when opened (3 cm clearance from wall must be allowed)	For cable routing below No rear wall (14.6 cm free)	For cable routing below No rear wall (14.6 cm free)	For cable duct Rear-panel clearance 8.4 cm left 1 adjustable shelf	For cable duct Rear-panel clearance 8.4 cm right 1 adjustable shelf
	 W/D/H in cm: 192 / 55 / 34	 W/D/H in cm: 192 / 55 / 34	 W/D/H in cm: 192 / 55 / 66	 W/D/H in cm: 192 / 55 / 66
Description	Lowboard 192/34, accent drawer, wooden flap, LH version	Lowboard 192/34, accent drawer, wooden flap, RH version	Lowboard 192/66, 1 accent door, 2 flaps, LH version	Lowboard 192/66, 1 accent door, 2 flaps, RH version
Accent	optiwhite anthracite	optiwhite anthracite	optiwhite anthracite	optiwhite anthracite
Item number	AL19A-O-L AL19A-A-L	AL19A-O-R AL19A-A-R	ALH19A-O-L ALH19A-A-L	ALH19A-O-R ALH19A-A-R
Surcharge drawer 128 instead of flap	(A-S12)*			
Surcharge cable management	(A-K)			

Doors protrude on hinge side when opened (3 cm clearance from wall must be allowed)	For cable duct Rear-panel clearance 8.4 cm	1 adjustable shelves each	
		 W/D/H in cm: 192 / 55 / 66	
Description		Lowboard 192/66, 2 doors, centre 2 drawers + open	
Accent	---	optiwhite	anthracite
Item number		ALH19T-O	ALH19T-A
Surcharge cable management	(A-K)		

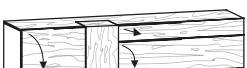

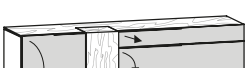

For cable duct Rear-panel clearance 8.4 cm	left and right 1 adjustable shelfe	left and right 1 adjustable shelfe	left and right 1 adjustable shelfe
	 W/D/H in cm: 160 / 58,3 / 50	 W/D/H in cm: 160 / 58,3 / 50	 W/D/H in cm: 160 / 58,3 / 50
Description	Lowboard 160/50, 2 flaps	Lowboard 160/50, 2 accent flaps	Lowboard 160/50 with stone cube, 2 flaps
Accent	---	optiwhite anthracite	---
Item number	AL16K	AL16KA-O AL16KA-A	AL16S
Surcharge cube with door	(A-T) door mounted on left	---	
Surcharge drawer 64 instead of flap	(A-S64)*		
Surcharge cable management	(A-K)		

For cable duct Rear-panel clearance 8.4 cm	left 1 adjustable shelf 	right 1 adjustable shelf 	left 1 adjustable shelf 	right 1 adjustable shelf 
	W/D/H in cm: 192 / 58,3 / 50	W/D/H in cm: 192 / 58,3 / 50	W/D/H in cm: 192 / 58,3 / 50	W/D/H in cm: 192 / 58,3 / 50
Description	Lowboard 192/50, 2 flaps, 1 drawer, LH version	Lowboard 192/50, 2 flaps, 1 drawer, RH version	Lowboard 192/50, 2 flaps, 1 drawer, accent, LH version	
Accent	---	---	optiwhite	anthracite
Item number	AL19K-L	AL19K-R	AL19KA-O-L	AL19KA-A-L
			AL19KA-O-R	AL19KA-A-R


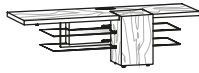
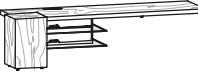
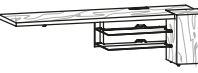
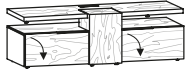
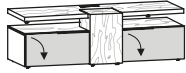
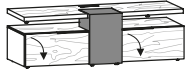
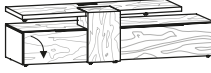
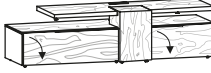
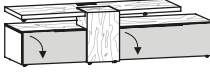
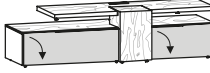
Surcharge cube with door	(A-T)
Surcharge drawer 64 instead of flap	(A-S64)
Surcharge drawer 96 instead of flap	(A-S96)
Surcharge cable management	(A-K)

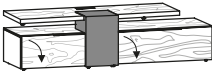
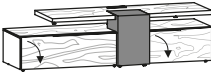
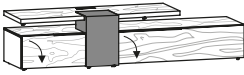
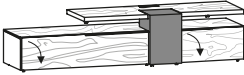


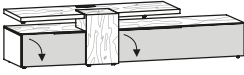
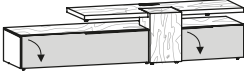
For cable duct Rear-panel clearance 8.4 cm	left 1 adjustable shelf 	right 1 adjustable shelf 	left 1 adjustable shelf 	right 1 adjustable shelf 
	W/D/H in cm: 192 / 58,3 / 50	W/D/H in cm: 192 / 58,3 / 50	W/D/H in cm: 224 / 58,3 / 50	W/D/H in cm: 224 / 58,3 / 50
Description	Lowboard 192/50 with stone cube, 2 flaps, 1 drawer, LH version	Lowboard 192/50 with stone cube, 2 flaps, 1 drawer, RH version	Lowboard 224/50 with stone cube, 2 flaps, 1 drawer, LH version	Lowboard 224/50 with stone cube, 2 flaps, 1 drawer, RH version
Item number	AL19S-L	AL19S-R	AL22S-L	AL22S-R



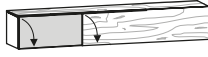



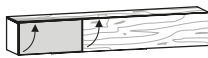

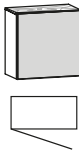


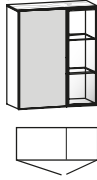
Surcharge drawer 96 instead of flap	(A-S96)	---
Surcharge drawer 128 instead of flap	---	(A-S128)
Surcharge drawer 64 instead of flap	(A-S64)	
Surcharge cable management	(A-K)	


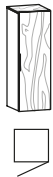




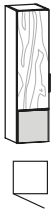

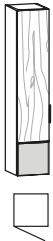
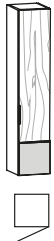
For cable duct Rear-panel clearance 8.4 cm	left 1 adjustable shelf 	right 1 adjustable shelf 	left 1 adjustable shelf 	right 1 adjustable shelf 
	W/D/H in cm: 224 / 58,3 / 50	W/D/H in cm: 224 / 58,3 / 50	W/D/H in cm: 224 / 58,3 / 50	W/D/H in cm: 224 / 58,3 / 50
Description	Lowboard 224/50, 2 flaps, 1 drawer, LH version	Lowboard 224/50, 2 flaps, 1 drawer, RH version	Lowboard 224/50, 2 flaps, 1 drawer, accent, LH version	Lowboard 224/50, 2 flaps, 1 drawer, accent, RH version
Accent	---	---	optiwhite	anthracite
Item number	AL22K-L	AL22K-R	AL22KA-O-L	AL22KA-A-L
			AL22KA-O-R	AL22KA-A-R








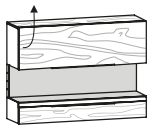
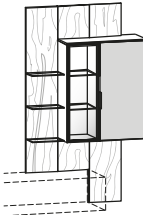
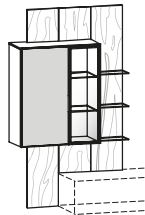
Surcharge cube with door	(A-T)
Surcharge drawer 64 instead of flap	(A-S64)
Surcharge drawer 128 instead of flap	(A-S128)
Surcharge cable management	(A-K)

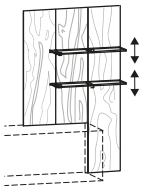
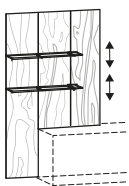
with cable glands Cable storage space in removable rear panel Wall mounting is mandatory!				
	W/D/H in cm: 176 / 56,7 / 50	W/D/H in cm: 176 / 56,7 / 50	W/D/H in cm: 192 / 56,7 / 50	W/D/H in cm: 192 / 56,7 / 50
Description	Media element 176, LH version	Media element 176, RH version	Media element 192, LH version	Media element 192, RH version
Item number	AM17-L	AM17-R	AM19-L	AM19-R
Surcharge cube with door (A-T)				
with cable glands No rear panel at bottom for routing cable (14.6 cm clear) Wall mounting is mandatory!				
	W/D/H in cm: 160 / 58,3 / 50	W/D/H in cm: 160 / 58,3 / 50	W/D/H in cm: 160 / 58,3 / 50	
Description	Mediabord 160, 2 flaps	Mediabord 160, 2 accent flaps	Mediabord 160 with stone cube, 2 flaps	
Accent	---	optiwhite	anthracite	---
Item number	AMB16	AMB16A-O	AMB16A-A	AMB16S
Surcharge cube with door (A-T) door mounted on left				
Surcharge drawer 64 instead of flap (A-S64)*				
Surcharge for lighting with switch (A-LS16)				
Surcharge for lighting with radio and dimmer (A-LF16)				
with cable glands No rear panel at bottom for routing cable (14.6 cm clear) Wall mounting is mandatory!				
	W/D/H in cm: 192 / 58,3 / 50	W/D/H in cm: 192 / 58,3 / 50	W/D/H in cm: 192 / 58,3 / 50	W/D/H in cm: 192 / 58,3 / 50
Description	Mediabord 192, 2 flaps, LH version	Mediabord 192, 2 flaps, RH version	Mediabord 192, 2 accent flaps, LH version	Mediabord 192, 2 accent flaps, RH version
Accent	---	---	optiwhite	anthracite
Item number	AMB19-L	AMB19-R	AMB19A-O-L	AMB19A-A-L
			AMB19A-O-R	AMB19A-A-R
Surcharge cube with door (A-T)				
Surcharge drawer 64 instead of flap (A-S64)				
Surcharge drawer 96 instead of flap (A-S96)				
Surcharge for lighting with switch (A-LS16)				
Surcharge for lighting with radio and dimmer (A-LF16)				

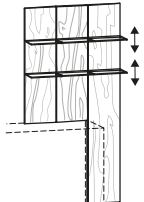
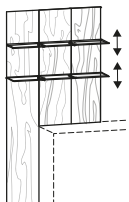
with cable glands No rear panel at bottom for routing cable (14.6 cm clear) Wall mounting is mandatory!						
	W/D/H in cm: 192 / 58,3 / 50	W/D/H in cm: 192 / 58,3 / 50	W/D/H in cm: 224 / 58,3 / 50	W/D/H in cm: 224 / 58,3 / 50		
Description	Mediabord 192 with stone cube, 2 flaps, LH version	Mediabord 192 with stone cube, 2 flaps, RH version	Mediabord 224 with stone cube, 2 flaps, LH version	Mediabord 224 with stone cube, 2 flaps, RH version		
Item number	AMB19S-L	AMB19S-R	AMB22S-L	AMB22S-R		
Surcharge drawer 96 instead of flap		(A-S96)	---			
Surcharge drawer 128 instead of flap		---	(A-S128)			
Surcharge drawer 64 instead of flap			(A-S64)			
Surcharge for lighting with switch			(A-LS16)			
Surcharge for lighting with radio and dimmer			(A-LF16)			
with cable glands No rear panel at bottom for routing cable (14.6 cm clear) Wall mounting is mandatory!						
	W/D/H in cm: 224 / 58,3 / 50	W/D/H in cm: 224 / 58,3 / 50	W/D/H in cm: 224 / 58,3 / 50	W/D/H in cm: 224 / 58,3 / 50		
Description	Mediabord 224, 2 flaps, LH version	Mediabord 224, 2 flaps, RH version	Mediabord 224, 2 accent flaps, LH version	Mediabord 224, 2 accent flaps, RH version		
Accent	---	---	optiwhite	anthracite	optiwhite	anthracite
Item number	AMB22-L	AMB22-R	AMB22A-O-L	AMB22A-A-L	AMB22A-O-R	AMB22A-A-R
Surcharge cube with door			(A-T)			
Surcharge drawer 64 instead of flap			(A-S64)			
Surcharge drawer 128 instead of flap			(A-S128)			
Surcharge for lighting with switch			(A-LS16)			
Surcharge for lighting with radio and dimmer			(A-LF16)			

Total loading capacity 70 kg maximum		1 middle side (width 61+125 cm)		1 middle side (width 61+125 cm)		1 middle side (width 125+61 cm)		
	W/D/H in cm: 128 / 37,3 / 32							
	W/D/H in cm: 192 / 37,3 / 32	W/D/H in cm: 192 / 37,3 / 32		W/D/H in cm: 192 / 37,3 / 32		W/D/H in cm: 192 / 37,3 / 32		
Description	Wall unit 128, wooden flap downwards		Wall unit 192 with wooden flap downwards		Wall unit 192, 2 flaps downwards, LH version		Wall unit 192, 2 flaps downwards, RH version	
Accent	---		---		optiwhite	anthracite	optiwhite	anthracite
Item number	AHU12		AHU19		AHU19A-O-L	AHU19A-A-L	AHU19A-O-R	AHU19A-A-R
Surcharge for lighting with switch	(A-LS12)				(A-LS19)			
Surcharge for lighting with radio and dimmer	(A-LF12)				(A-LF19)			
Surcharge for cable hole					(A-D)			
Total loading capacity 70 kg maximum		1 middle side (width 61+125 cm)		1 middle side (width 61+125 cm)		1 middle side (width 125+61 cm)		
	W/D/H in cm: 128 / 37,3 / 32							
	W/D/H in cm: 192 / 37,3 / 32	W/D/H in cm: 192 / 37,3 / 32		W/D/H in cm: 192 / 37,3 / 32		W/D/H in cm: 192 / 37,3 / 32		
Description	Wall unit 128, wooden flap upwards		Wall unit 192 with wooden flap upwards		Wall unit 192, 2 flaps upwards, LH version		Wall unit 192, 2 flaps upwards, RH version	
Accent	---		---		optiwhite	anthracite	optiwhite	anthracite
Item number	AHO12		AHO19		AHO19A-O-L	AHO19A-A-L	AHO19A-O-R	AHO19A-A-R
Surcharge for lighting with switch	(A-LS12)				(A-LS19)			
Surcharge for lighting with radio and dimmer	(A-LF12)				(A-LF19)			
Total loading capacity 40 kg maximum Doors protrude on hinge side when opened (3 cm clearance from wall must be allowed)	1 adjustable shelf		1 adjustable shelf		left and right 2 adjustable shelves each		left and right 2 adjustable shelves each	
								
	W/D/H in cm: 64 / 37,3 / 64		W/D/H in cm: 64 / 37,3 / 64		W/D/H in cm: 80 / 37,3 / 96		W/D/H in cm: 80 / 37,3 / 96	
Description	Wall unit 64/64, 1-door with accent, door mounted on left		Wall unit 64/64, 1-door with accent, door mounted on right		wall unit 80/96, 2 doors, glass display, LH version		wall unit 80/96, 2 doors, glass display, RH version	
Accent	optiwhite	anthracite	optiwhite	anthracite	optiwhite	anthracite	optiwhite	anthracite
Item number	AHE66A-O-L	AHE66A-A-L	AHE66A-O-R	AHE66A-A-R	AHE80V-O-L	AHE80V-A-L	AHE80V-O-R	AHE80V-A-R
Surcharge for lighting with switch	---				(A-LS3)			
Surcharge for lighting with radio and dimmer	---				(A-LF3)			

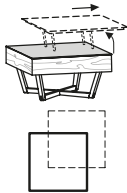
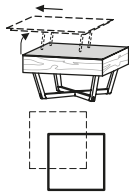
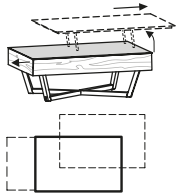
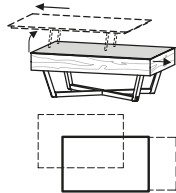
Total loading capacity 40 kg maximum	2 shelves	2 shelves				
						
	WD/H in cm: 32 / 37,3 / 96	WD/H in cm: 32 / 37,3 / 96				
Description	Wall unit 32/96, 1 door, door mounted on left	Wall unit 32/96, 1 door, door mounted on right				
Item number	AHE32H-L	AHE32H-R				
Doors protrude on hinge side when opened (3 cm clearance from wall must be allowed)	Max. total loading capacity 70 kg 1 fixed shelf at bottom 2 adjustable shelves each at the top	Max. total loading capacity 70 kg 1 fixed shelf at bottom 2 adjustable shelves each at the top	Max. total loading capacity 50 kg 2 fixed shelves 1 glass shelf	Max. total loading capacity 50 kg 2 fixed shelves 1 glass shelf		
						
	WD/H in cm: 64 / 37,3 / 128	WD/H in cm: 64 / 37,3 / 128	WD/H in cm: 32 / 37,3 / 128	WD/H in cm: 32 / 37,3 / 128		
Description	Wall unit 64/128, 1-door, door mounted on left	Wall unit 64/128, 1-door, door mounted on right	Wall unit 32/128, 1-door, with accent, door mounted on left		Wall unit 32/128, 1-door, with accent, door mounted on right	
Accent	---	---	optiwhite	anthracite	optiwhite	anthracite
Item number	AHE64-L	AHE64-R	AHE32G-O-L	AHE32G-A-L	AHE32G-O-R	AHE32G-A-R
Surcharge for lighting with switch		(A-LS3)	(A-LS2)			
Surcharge for lighting with radio and dimmer		(A-LF3)	(A-LF2)			
Doors protrude on hinge side when opened (3 cm clearance from wall must be allowed)	3 shelves	3 shelves	4 adjustable shelves	4 adjustable shelves		
						
	WD/H in cm: 32 / 37,3 / 128	WD/H in cm: 32 / 37,3 / 128	WD/H in cm: 32 / 37,3 / 160	WD/H in cm: 32 / 37,3 / 160		
Description	Wall unit 32/128, 1-door wood with accent, door mounted on left	Wall unit 32/128, 1-door wood with accent, door mounted on right	Wall unit 32/160, 1-door wood with accent, door mounted on left		Wall unit 32/160, 1-door wood with accent, door mounted on right	
Accent	optiwhite	anthracite	optiwhite	anthracite	optiwhite	anthracite
Item number	AHE32-O-L	AHE32-A-L	AHE32-O-R	AHE32-A-R	AHE36-O-L	AHE36-A-L
					AHE36-O-R	AHE36-A-R

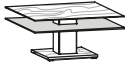



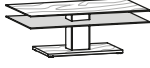

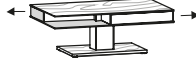


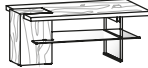
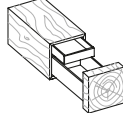
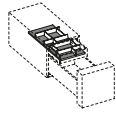
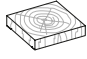


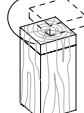
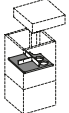
Doors protrude on hinge side when opened (3 cm clearance from wall must be allowed)	Max. total loading capacity 50 kg 2 fixed shelves 2 Glass shelves 	Max. total loading capacity 50 kg 2 fixed shelves 2 Glass shelves 	Max. total loading capacity 10 kg Glass shelf, 8 mm Parsol glass Operating depth 19 cm 	Max. total loading capacity 10 kg Glass shelf, 8 mm Parsol glass Operating depth 19 cm 
	W/D/H in cm: 32 / 37,3 / 160	W/D/H in cm: 32 / 37,3 / 160	W/D/H in cm: 128 / 23 / 18,2	W/D/H in cm: 192 / 23 / 18,2
Description	Wall unit 32/160, 1-door, with accent, door mounted on left		Wall unit 32/160, 1-door, with accent, door mounted on right	
Accent	optiwhite	anthracite	--	
Item number	AHE36G-O-L	AHE36G-A-L	AHE36G-O-R AHE36G-A-R	
Surcharge for lighting with switch	(A-LS3)		(A-LS12)	(A-LS19)
Surcharge for lighting with radio and dimmer	(A-LF3)		(A-LF12)	(A-LF19)
Max. total loading capacity 10 kg with plug-in fitting 	Max. total loading capacity 10 kg with plug-in fitting 	Max. total loading capacity 10 kg with plug-in fitting 	Max. total loading capacity 70 kg 	
			W/D/H in cm: 128 / 24 / 3,9	W/D/H in cm: 176 / 24 / 3,9
Description	Wall shelf 128 cm	Wall shelf 176 cm	Wall shelf 192 cm	Wall unit 128/93, 1 high-lift flap, 1 drawer
Accent	--	--	--	optiwhite anthracite
Item number	AWS12	AWS17	AWS19	AHE12-O AHE12-A
Surcharge for lighting with switch	---		(A-LSHE12)	
Surcharge for lighting with radio and dimmer	---		(A-LFHE12)	
Surcharge for variable office layout	---		(A-VO)	
Maximal total loading: Corpus max. 70 kg Glass shelf max 5 kg each 	left and right 2 adjustable shelves each 	left and right 2 adjustable shelves each		
		W/D/H in cm: 111,8 / 37,3 / 193,8	W/D/H in cm: 111,8 / 37,3 / 193,8	
Description	Add-on glass cabinet 112, directed for lowboard, LH version		Add-on glass cabinet 112, directed for lowboard, RH version	
Accent	optiwhite	anthracite	optiwhite	anthracite
Item number	AWPV-O-L	AWPV-A-L	AWPV-O-R	AWPV-A-R
Surcharge for lighting with switch	(A-LSWPV)			
Surcharge for lighting with radio and dimmer	(A-LFWPV)			

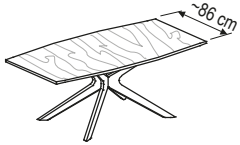
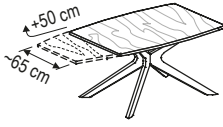
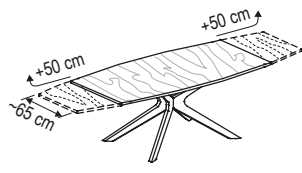
<p>each glass shelf Loading capacity up to 5 kg max.</p>	<p>Optional lighting 9.6 watts (maximum wattage 30 watts)</p> <p>suitable for lowboards 50 tall (Cable flap in lowboards 128 and 160 cannot be opened!)</p>  <p>W/D/H in cm: 95,6 / 28 / 159,6</p>	<p>Optional lighting 9.6 watts (maximum wattage 30 watts)</p> <p>suitable for lowboards 50 tall (Cable flap in lowboards 128 and 160 cannot be opened!)</p>  <p>W/D/H in cm: 95,6 / 28 / 159,6</p>	
	<p>Description</p> <p>Wall panel 96/160 with slotting, 2 glass shelves, LH version</p>	<p>Description</p> <p>Wall panel 96/160 with slotting, 2 glass shelves, RH version</p>	
<p>Item number</p> <p>AWP4-L</p>	<p>Item number</p> <p>AWP4-R</p>		
<p>Surcharge for lighting with switch</p>		<p>(A-LSWP4)</p>	
<p>Surcharge for lighting with radio and dimmer</p>		<p>(A-LFWP4)</p>	

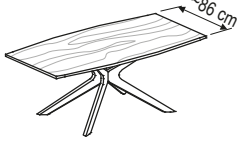
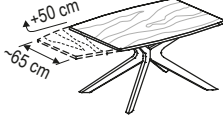
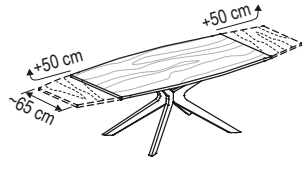
<p>Optional lighting 13.3 watts (maximum wattage 30 watts)</p> <p>suitable for sideboards</p>	 <p>W/D/H in cm: 95,6 / 28 / 191,6</p>	<p>Optional lighting 13.3 watts (maximum wattage 30 watts)</p> <p>suitable for sideboards</p>  <p>W/D/H in cm: 95,6 / 28 / 191,6</p>	
	<p>Description</p> <p>Wall panel 96/192 with slotting, 2 glass shelves, LH version</p>	<p>Description</p> <p>Wall panel 96/192 with slotting, 2 glass shelves, RH version</p>	
<p>Item number</p> <p>AWP6-L</p>	<p>Item number</p> <p>AWP6-R</p>		
<p>Surcharge for lighting with switch</p>		<p>(A-LSWP6)</p>	
<p>Surcharge for lighting with radio and dimmer</p>		<p>(A-LFWP6)</p>	

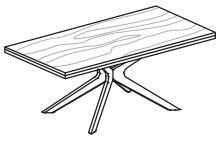
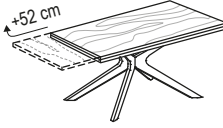
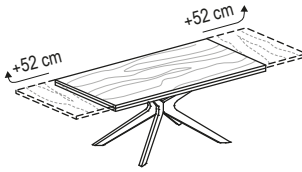
Coffee tables




<p>Top coloured glass - by approx. 21 cm for lifting and shifting</p> <p>Total loading capacity 20 kg maximum</p>	 <p>W/D/H in cm: 80 / 80 / 43,5</p>	 <p>W/D/H in cm: 80 / 80 / 43,5</p>	<p>End face drawer</p>  <p>W/D/H in cm: 120 / 75 / 43,5</p>	<p>End face drawer</p>  <p>W/D/H in cm: 120 / 75 / 43,5</p>
	<p>Description</p> <p>Coffee table 80/80, lifting glass top, LH version</p>	<p>Description</p> <p>Coffee table 80/80, lifting glass top, RH version</p>	<p>Description</p> <p>Coffee table 75/120, lifting glass top, LH version</p>	<p>Description</p> <p>Coffee table 75/120, lifting glass top, RH version</p>
<p>Accent</p> <p>optiwhite anthracite</p>	<p>Accent</p> <p>optiwhite anthracite</p>	<p>Accent</p> <p>optiwhite anthracite</p>	<p>Accent</p> <p>optiwhite anthracite</p>	
<p>Item number</p> <p>AC88A-O-L AC88A-A-L</p>	<p>Item number</p> <p>AC88A-O-R AC88A-A-R</p>	<p>Item number</p> <p>AC71A-O-L AC71A-A-L</p>	<p>Item number</p> <p>AC71A-O-R AC71A-A-R</p>	

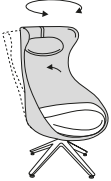





Lower panel and shopfronts coloured glass - Total loading capacity 40 kg maximum	 W/D/H in cm: 90 / 90 / 45,8	 W/D/H in cm: 90 / 90 / 45,8	 W/D/H in cm: 90 / 90 / 45,8	Height-adjustable from 38.3 to 74.3 cm  W/D/H in cm: 90 / 90 / 38,3						
	Description Coffee table without drawer 90/90 cm		Coffee table with 1 drawer 90/90 cm		Coffee table with 2 drawers 90/90 cm		Coffee table 90/90, height adjustable, with 2 drawers			
Accent	optiwhite	anthracite	optiwhite	anthracite	optiwhite	anthracite	optiwhite	anthracite		
Item number	AC99-O	AC99-A	AC1L99-O	AC1L99-A	AC2L99-O	AC2L99-A	AC2L99H-O	AC2L99H-A		
Lower panel and shopfronts coloured glass - Total loading capacity 40 kg maximum	 W/D/H in cm: 120 / 75 / 45,8	 W/D/H in cm: 120 / 75 / 45,8	 W/D/H in cm: 120 / 75 / 45,8	Base panel anthracite, top section turns through 360°, panel approx. 20 cm, for lifting. Max. total loading capacity 20 kg  W/D/H in cm: 80 / 80 / 38						
	Description Coffee table without drawer 75/120 cm		Coffee table with 1 drawer 75/120 cm		Coffee table with 2 drawers 75/120 cm		Coffee table round D 80, height adjustable top			
Accent	optiwhite	anthracite	optiwhite	anthracite	optiwhite	anthracite	optiwhite	anthracite		
Item number	AC71-O	AC71-A	AC1L71-O	AC1L71-A	AC2L71-O	AC2L71-A	ACR80-O	ACR80-A		
Cheek and compartment made of Parsol glass	 W/D/H in cm: 83,8 / 80 / 50	 W/D/H in cm: 123,8 / 75 / 50	 W/D/H in cm: 34,4 / 80 / 34,9	Available for upper drawer of AK80  W/D/H in cm: 25,9 / 59,3 / 5,5						
	Description Coffee table 80/80 cm, cube		Coffee table 75/120 cm, cube		Cube 80/34, 35 cm high, 2 drawers		Surcharge for variable multi-purpose layout			
Item number	AC88K		AC71K		AK80		A-MZ80			
Surcharge cube with door (A-T) door mounted on left				---						
Plate rotatable	 W/D/H in cm: 48 / 48 / 10	 W/D/H in cm: 34,4 / 34,4 / 34,9	 W/D/H in cm: 34,4 / 34,4 / 52	 W/D/H in cm: 34,4 / 34,4 / 73	Available for AK52, AK73  W/D/H in cm: 30 / 30 / 5,5					
	Description Cube 48/48, 10 cm high		Cube 34/34, 35 cm high		Cube 34/34, 52 cm high		Cube 34/34, 73 cm high		Surcharge for variable multi-purpose layout	
Item number	AK10		AK35		AK52		AK73		A-MZ	














<p>Tabletop coreboard crosswise veneered in genuine wood 2.7 cm</p> <p>Table height 76.5 cm</p> 					pull-out rails metal	pull-out rails metal
					 <p>only possible for table 140</p>	 <p>only possible for table 160, 180, 200</p>
Description	Dining table, rounded				Surcharge table extension 1x 50	Surcharge table extension 2x 50
W/L in cm:	96,5 / 140	99 / 160	100 / 180	100 / 200	+ 50 cm	+ 2x 50 cm
Item number	AA114	AA116	AA118	AA120	A-A1V	A-A2V

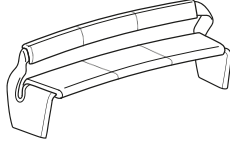

<p>Tabletop coreboard lengthwise veneered in genuine wood 2.7 cm</p> <p>Table height 76.5 cm</p> 					pull-out rails metal	pull-out rails metal
					 <p>only possible for table 140</p>	 <p>only possible for table 160, 180, 200</p>
Description	Dining table, rounded				Surcharge table extension 1x 50	Surcharge for table extension 2x 50
W/L in cm:	96,5 / 140	99 / 160	100 / 180	100 / 200	+ 50 cm	+ 2x 50 cm
Item number	AT114	AT116	AT118	AT120	A-1V	A-2V

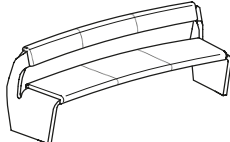

<p>Tabletop coreboard lengthwise veneered in genuine wood 3.1 cm overlap</p> <p>Table height 76.5 cm</p> 					pull-out rails metal	pull-out rails metal
					 <p>only possible for table 140</p>	 <p>only possible for table 160, 180, 200</p>
Description	Dining table				Surcharge for table extension 1x 52	Surcharge for table extension 2x 52
W/L in cm:	90 / 140	100 / 160	100 / 180	100 / 200	+ 52 cm	+ 2x 52 cm
Item number	AG914	AG116	AG118	AG120	A-G1V	A-G2V

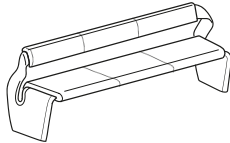

<p>Table top solid wood 3 cm</p> <p>Table height 76.8 cm</p> 						<p>Table top solid wood 3 cm</p> <p>Stone opaque stoneware (ceramic) table insert</p> <p>Table height 76.8 cm</p> 	<p>Bottle holder anthracite</p> <p>4 swivel castors with brake</p> <p>Total height 76.8 cm</p> 					
	Dining room table - solid wood top						Dining room table - solid wood top with stone inlay					Serving trolley
W/L in cm:	100 / 140	100 / 160	100 / 180	100 / 200	110 / 220	100 / 140	100 / 160	100 / 180	100 / 200	110 / 220	60 / 100	60 / 110
Item number	AM114	AM116	AM118	AM120	AM122	AMS114	AMS116	AMS118	AMS120	AMS122	ASW10	ASW11

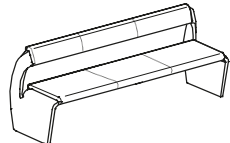

<p>Seat height ~45 cm with felt glides</p>	<p>Neck cushion with same cover as moulded back Moulded back and seat available with various cover materials!</p>  <div data-bbox="470 230 641 347"> <p>Please state when ordering</p> <input type="text" value="Cover fabric"/> <input type="text" value="Cover, seat"/> </div> <p>W/D/H in cm: 78 / 83 / 123</p>	<p>Moulded back and seat available with various cover materials!</p>  <div data-bbox="893 230 1064 347"> <p>Please state when ordering</p> <input type="text" value="Cover fabric"/> <input type="text" value="Cover, seat"/> </div> <p>W/D/H in cm: 52 / 51 / 45</p>	
<p>Description</p>	<p>Wing chair 15 upholstered</p>	<p>Stool 15 upholstered</p>	
<p>Item number</p>	<p>OS15</p>	<p>HO15</p>	
<p>Price group S2</p>			
<p>Price group S4</p>			
<p>Price group L3</p>			
<p>Combination price groups</p>	<p>shell S2, seat S4</p> <p>shell S4, seat S2</p> <p>shell S2, seat L3</p> <p>shell L3, seat S2</p> <p>shell S4, seat L3</p> <p>shell L3, seat S4</p>		
<p>Seat height 49 cm All chairs with plastic glides (felt gliders are also included)</p>	<p>Moulded back rest, other cover possible</p>  <div data-bbox="470 969 641 1086"> <p>Please state when ordering</p> <input type="text" value="Cover, back shell"/> <input type="text" value="Cover, seat"/> </div> <p>W/D/H in cm: 50 / 61 / 88</p>	<p>Moulded back rest, other cover possible</p>  <div data-bbox="893 969 1064 1086"> <p>Please state when ordering</p> <input type="text" value="Cover, back shell"/> <input type="text" value="Cover, seat"/> </div> <p>W/D/H in cm: 50 / 61 / 85</p>	<p>Moulded back rest, other cover possible</p>  <div data-bbox="1316 969 1487 1086"> <p>Please state when ordering</p> <input type="text" value="Cover, back shell"/> <input type="text" value="Cover, seat"/> </div> <p>W/D/H in cm: 50 / 61 / 85</p>
<p>Description</p>	<p>Chair 64, seat and back upholstered</p>	<p>Chair 65 upholstered, metal frame</p>	<p>Chair 66 upholstered, wooden frame</p>
<p>Item number</p>	<p>SEGP64</p>	<p>SEGP65</p>	<p>SEGP66</p>
<p>Price group S2</p>			
<p>Price group S4</p>			
<p>Price group L3</p>			
<p>Combination</p>	<p>Price gr. S2+S4</p> <p>Price gr. L3+S2</p> <p>Price gr. L3+S4</p>		
<p>Seat height 49 cm All chairs with plastic glides (felt gliders are also included)</p>	<p>Back rest, other cover possible</p>  <div data-bbox="470 1597 641 1713"> <p>Please state when ordering</p> <input type="text" value="Cover, back rest"/> <input type="text" value="Cover, seat"/> </div> <p>W/D/H in cm: 58 / 62 / 82</p>		
<p>Description</p>	<p>Chair 77 with armrests, seat and back upholstered</p>		
<p>Item number</p>	<p>SAGP77</p>		
<p>Price group S2</p>			
<p>Price group S4</p>			
<p>Price group L3</p>			
<p>Combination</p>	<p>Price gr. S2+S4</p> <p>Price gr. L3+S2</p> <p>Price gr. L3+S4</p>		





<p>Seat height 49 cm</p> <p>All chairs with plastic glides (felt gliders are also included)</p> <p>- ONLY AVAILABLE IN OAK !</p>	 <p>W/D/H in cm: 55 / 62 / 86</p>	 <p>W/D/H in cm: 55 / 62 / 85</p>	 <p>W/D/H in cm: 56 / 62 / 82,5</p>		
	Description	Chair 74 upholstered, metal frame	Chair 75 upholstered, wooden frame	Chair 92, upholstered with armrests, metal frame	
	Item number	SEGP74	SEGP75	SAGP92	
	Price group S2				
	Price group S4				
	Price group L3				
<p>Seat height 49 cm</p> <p>All chairs with plastic glides (felt gliders are also included)</p>	 <p>W/D/H in cm: 57 / 57 / 82</p>	 <p>W/D/H in cm: 57 / 57 / 82</p>	<p>Rotatable seat with rocker function</p>  <p>W/D/H in cm: 60 / 58 / 82</p>	 <p>W/D/H in cm: 60 / 59 / 82</p>	
	Description	Upholstered chair 26	Upholstered chair 36, rocking backrest	Chair 76, upholstered with armrests, metal frame	Chair 78, upholstered with armrests, wooden frame
	Item number	SEGP26	SEGP36	SAGP76	SAGP78
	Price group S2				
	Price group S4				
	Price group L3				
<p>Seat height 49 cm</p> <p>All chairs with plastic glides (felt gliders are also included)</p>	<p>Stackable chair</p>  <p>W/D/H in cm: 54 / 61 / 86</p>	<p>Stackable chair</p>  <p>W/D/H in cm: 54 / 57 / 82</p>	<p>Stackable chair</p>  <p>W/D/H in cm: 53 / 57 / 82</p>	 <p>W/D/H in cm: 57 / 58 / 83</p>	
	Description	Chair 55, seat upholstered, wooden back	Chair 35, seat upholstered, wooden back	Upholstered chair 35	Upholstered chair 37 with armrests
	Item number	SEHP55	SEHP35	SEGP35	SAGP37
	Price group S2				
	Price group S4				
	Price group L3				
	 <p>W/D/H in cm: 51 / 49 / 93</p>	 <p>W/D/H in cm: 52 / 51,5 / 103</p>			
	Description	Barstool 35, seat height approx. 66 cm	Barstool 35, seat height approx. 76 cm		
	Item number	BAN35	BAH35		
	Price group S2				
	Price group S4				
	Price group L3				


<p>Seat upholstery: Foam 3,5 cm Volume weight 50 Upset hardness 75</p> <p>Seat height 50 cm Total depth ~66 cm Total height ~83 cm</p>	 				
	Description	Bench rounded 172 cm	Bench rounded 192 cm	Bench rounded 212 cm	Bench rounded 232 cm
	suitable table size	140 cm, rounded	160 cm, rounded	180 cm, rounded	200 cm, rounded
	Item number	ABR17	ABR19	ABR21	ABR23
	Price group S2				
	Price group S4				
	Price group L3				

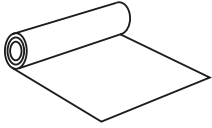
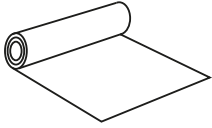
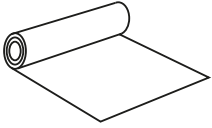
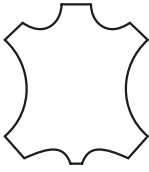
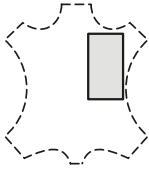
<p>Seat upholstery: Foam 3,5 cm Volume weight 50 Upset hardness 75</p> <p>Seat height 50 cm Total depth ~70 cm Total height 84 cm</p>	 				
	Description	Bench rounded 167 cm	Bench rounded 187 cm	Bench rounded 207 cm	Bench rounded 227 cm
	suitable table size	140 cm, rounded	160 cm, rounded	180 cm, rounded	200 cm, rounded
	Item number	AB16	AB18	AB20	AB22
	Price group S2				
	Price group S4				
	Price group L3				


<p>Seat upholstery: Foam 3,5 cm Volume weight 50 Upset hardness 75</p> <p>Seat height 50 cm Total depth ~66 cm Total height ~83 cm</p>	 					
	Description	Bench straight 160 cm	Bench straight 180 cm	Bench straight 200 cm	Bench straight 220 cm	Bench straight 220 cm
	suitable table size	140 cm straight	160 cm straight	180 cm straight	200 cm straight	220 cm straight
	Item number	ABA16	ABA18	ABA20	ABA22	ABA24
	Price group S2					
	Price group S4					
	Price group L3					

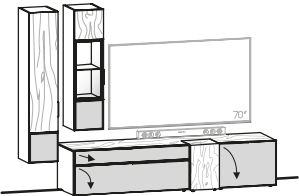
<p>Seat upholstery: Foam 3,5 cm Volume weight 50 Upset hardness 75</p> <p>Seat height 49 cm Total depth ~70 cm Total height 84 cm</p>	 				
	Description	Bench straight 155 cm	Bench straight 175 cm	Bench straight 195 cm	Bench straight 215 cm
	suitable table size	140 cm straight	160 cm straight	180 cm straight	200 cm straight
	Item number	ABG15	ABG17	ABG19	ABG21
	Price group S2				
	Price group S4				
	Price group L3				

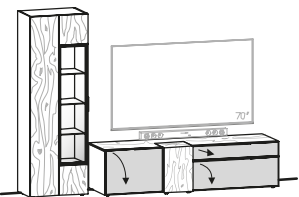
	(coreboard, veneered, edged all round) Max. length 252 cm max. width 110 cm Material thickness: 14, 20 or 23 mm  (At least 0.5 m² will be charged)	WOOD CARE		FABRIC CARE
		250 ml VOGLAUER maintenance oil and polishing cloth  Genuine VOGLAUER care oil cleans or refreshes the surface, leaving a breathable protective film.	100 ml of VOGLAUER cleaning milk and repair oil, Scotch-Brite and polishing cloths  For repairing minor surface damage and removing soiling	200 ml of demineralised cleaning water and synthetic fibre cleaner, cleaning glove, brush and cloth.  For cleaning and looking after synthetic-fibre covers f. Collection: CURL, CHALET, VINTAGE, SELECT, NOVA
Description	Filler panel, both sides veneered	Care set for oiled surfaces	Repairing set for oiled surfaces	Care and cleaning set for synthetic fibres
Item number	BLBS	PSET	RSET	VISET
	(per m²)			

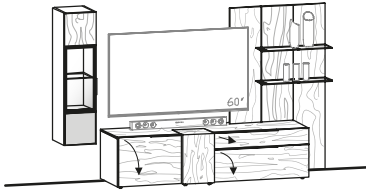
	LEATHER CARE		
	200 ml of gentle cleaner and care lotion with light protection, sponge and cloths.  The genuine VOGLAUER leather care set for cleaning leather thoroughly and gently as well as impregnating it. Recommendation: 2 - 4 applications a year.	 For removing heavy, non-greasy soiling and dust on the leather.	 Highly effective impregnation and light protection. The leather is re-moisturised, keeping it supple. Delays colour fading.
Description	Leather care set	Leather cleaner 200 ml	Leather care lotion 200 ml
Item number	LESET	LEREI	LEPFL

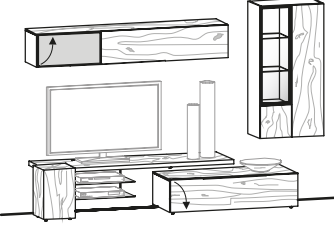
	FURNITURE COVER MATERIALS				
	Fabric collection: NOVA  Fabric width 140 cm	Fabric collection: CURL, CHALET, VINTAGE, SELECT  Fabric width 140 cm	Fabric collection: LODEN  Fabric width 150 cm	Leather collection: MONTAN 	Leather collection: MONTAN  80/80 cm maximum (At least 0.5 m² will be charged)
Description	Fabric	Fabric	Fabric	Cowhide leather complete approx. 4 - 5 m²	Leather
Item number	MBST	MBST	MBST	LEHAU	LEZU
	(per metre)	(per metre)	(per metre)	(each)	(per m²)

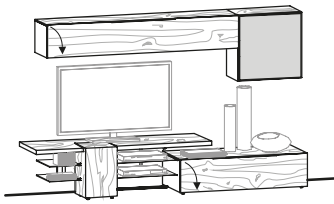
<p>Suggestion 126 W/D/H in cm: 256 / 56,7 / 168</p> 	Accent	anthracite	optiwhite	
	Article number as illustrated	AV126-A-L	AV126-O-L	
	Article number mirror-inverted	AV126-A-R	AV126-O-R	
	Surcharge for lighting with switch (A-LS19)			
	Surcharge for lighting with radio and dimmer (A-LF19)			
	Surcharge drawer 128 instead of flap (A-S12)			
	Surcharge cable management (A-K)			
	Surcharge cube with door (A-T)			
	Suggestion (illustrated) consisting of:	1x AL12 1x AM19-L 1x AHU19 1x AHE66A-R	Lowboard 128/34, 1 flap Media element 192, LH version Wall unit 192 with wooden flap downwards Wall unit 64/64, 1-door with accent, RH version	

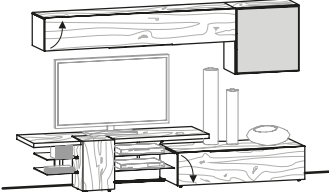
<p>Suggestion 128 W/D/H in cm: 268 / 58,3 / 189</p> 	Accent	anthracite	optiwhite
	Article number as illustrated	AV128-A-L	AV128-O-L
	Article number mirror-inverted	AV128-A-R	AV128-O-R
	Surcharge for lighting with switch (A-LS2)		
	Surcharge for lighting with radio and dimmer (A-LF2)		
	Surcharge drawer 64 instead of flap (A-S64)		
	Surcharge drawer 128 instead of flap (A-S128)		
	Surcharge cable management (A-K)		
	Surcharge cube with door (A-T)		
	Suggestion (illustrated) consisting of:	1x AL22KA-R 1x AHE32G-L 1x AHE36-L	Lowboard 224/50, 2 flaps, 1 drawer, accent, RH version Wall unit 32/128, 1-door, with accent, LH version Wall unit 32/160, 1-door wood with accent, LH version

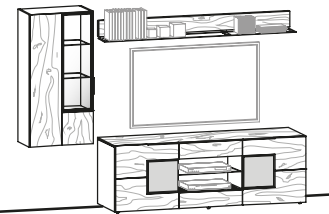
<p>Suggestion 130 W/D/H in cm: 271 / 58,3 / 194</p> 	Accent	anthracite	optiwhite
	Article number as illustrated	AV130-A-L	AV130-O-L
	Article number mirror-inverted	AV130-A-R	AV130-O-R
	Surcharge for lighting with radio and dimmer (A-LF4)		
	Surcharge for lighting with switch (A-LS4)		
	Surcharge drawer 64 instead of flap (A-S64)		
	Surcharge drawer 96 instead of flap (A-S96)		
	Surcharge cable management (A-K)		
	Surcharge cube with door (A-T)		
	Suggestion (illustrated) consisting of:	1x AL19KA-L 1x AV64G-L	Lowboard 192/50, 2 flaps, 1 drawer, accent, LH version Glass cabinet 64, 1-door, door mounted on left

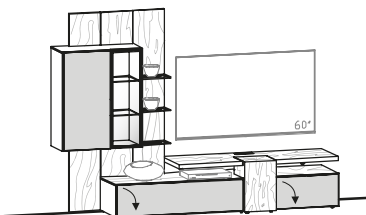
<p>Suggestion 132 W/D/H in cm: 272 / 58,3 / 170</p> 	Accent	optiwhite	anthracite						
	Article number as illustrated	AV132-O-L	AV132-A-L						
	Article number mirror-inverted	AV132-O-R	AV132-A-R						
	Surcharge for lighting with switch (A-LS2, A-LSWP4)								
	Surcharge for lighting with radio and dimmer (A-LF2, A-LF19)								
	Surcharge drawer 64 instead of flap (A-S64)								
	Surcharge drawer 96 instead of flap (A-S96)								
	Surcharge cable management (A-K)								
	Surcharge cube with door (A-T)								
	<p>Suggestion (illustrated) consisting of:</p> <table border="0"> <tr> <td>1x AL19K-L</td> <td>Lowboard 192/50, 2 flaps, 1 drawer, LH version</td> </tr> <tr> <td>1x AWP4-L</td> <td>Wall panel 96/160 with slotting, 2 glass shelves, LH version</td> </tr> <tr> <td>1x AHE32G-L</td> <td>Wall unit 32/128, 1-door, with accent, door mounted on left</td> </tr> </table>				1x AL19K-L	Lowboard 192/50, 2 flaps, 1 drawer, LH version	1x AWP4-L	Wall panel 96/160 with slotting, 2 glass shelves, LH version	1x AHE32G-L
1x AL19K-L	Lowboard 192/50, 2 flaps, 1 drawer, LH version								
1x AWP4-L	Wall panel 96/160 with slotting, 2 glass shelves, LH version								
1x AHE32G-L	Wall unit 32/128, 1-door, with accent, door mounted on left								

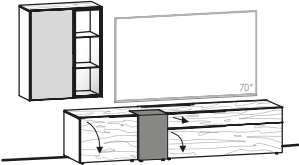
<p>Suggestion 140 W/D/H in cm: 288 / 56,7 / 194</p> 	Accent	optiwhite	anthracite									
	Article number as illustrated	AV140-O-L	AV140-A-L									
	Article number mirror-inverted	AV140-O-R	AV140-A-R									
	Surcharge for lighting with switch (A-LS3, A-LS19)											
	Surcharge for lighting with radio and dimmer (A-LF3, A-LF19)											
	Surcharge drawer 128 instead of flap (A-S12)											
	Surcharge cable management (A-K)											
	Surcharge cube with door (A-T)											
	<p>Suggestion (illustrated) consisting of:</p> <table border="0"> <tr> <td>1x AL12</td> <td>Lowboard 128/34, 1 flap</td> </tr> <tr> <td>1x AM19-L</td> <td>Media element 192, LH version</td> </tr> <tr> <td>1x AHO19A-L</td> <td>Wall unit 192, 2 flaps upwards, LH version</td> </tr> <tr> <td>1x AHE64-R</td> <td>Wall unit 64/128, 1-door, door mounted on right</td> </tr> </table>				1x AL12	Lowboard 128/34, 1 flap	1x AM19-L	Media element 192, LH version	1x AHO19A-L	Wall unit 192, 2 flaps upwards, LH version	1x AHE64-R	Wall unit 64/128, 1-door, door mounted on right
	1x AL12	Lowboard 128/34, 1 flap										
1x AM19-L	Media element 192, LH version											
1x AHO19A-L	Wall unit 192, 2 flaps upwards, LH version											
1x AHE64-R	Wall unit 64/128, 1-door, door mounted on right											

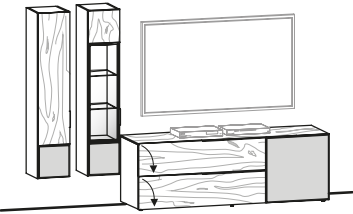
<p>Suggestion 154 W/D/H in cm: 272 / 56,7 / 168</p> 	Accent	optiwhite	anthracite									
	Article number as illustrated	AV154-O-L	AV154-A-L									
	Article number mirror-inverted	AV154-O-R	AV154-A-R									
	Surcharge for lighting with switch (A-LS19)											
	Surcharge for lighting with radio and dimmer (A-LF19)											
	Surcharge drawer 128 instead of flap (A-S12)											
	Surcharge cable management (A-K)											
	Surcharge cube with door (A-T)											
	<p>Suggestion (illustrated) consisting of:</p> <table border="0"> <tr> <td>1x AL12</td> <td>Lowboard 128/34, 1 flap</td> </tr> <tr> <td>1x AM17-L</td> <td>Media element 176, LH version</td> </tr> <tr> <td>1x AHU19</td> <td>Wall unit 192 with wooden flap downwards</td> </tr> <tr> <td>1x AHE66A-R</td> <td>Wall unit 64/64, 1-door with accent, RH version</td> </tr> </table>				1x AL12	Lowboard 128/34, 1 flap	1x AM17-L	Media element 176, LH version	1x AHU19	Wall unit 192 with wooden flap downwards	1x AHE66A-R	Wall unit 64/64, 1-door with accent, RH version
	1x AL12	Lowboard 128/34, 1 flap										
1x AM17-L	Media element 176, LH version											
1x AHU19	Wall unit 192 with wooden flap downwards											
1x AHE66A-R	Wall unit 64/64, 1-door with accent, RH version											

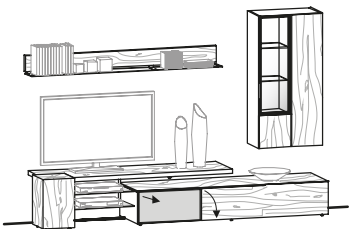
<p>Suggestion 155 W/D/H in cm: 272 / 56,7 / 168</p> 	Accent	optiwhite	anthracite
	Article number as illustrated	AV155-O-L	AV155-A-L
	Article number mirror-inverted	AV155-O-R	AV155-A-R
	Surcharge for lighting with switch (A-LS19)		
	Surcharge for lighting with radio and dimmer (A-LF19)		
	Surcharge drawer 128 instead of flap (A-S12)		
	Surcharge cable management (A-K)		
	Surcharge cube with door (A-T)		
	Suggestion (illustrated) consisting of:	1x AL12 1x AM17-L 1x AHO19 1x AHE66A-R	Lowboard 128/34, 1 flap Media element 176, LH version Wall unit 192 with wooden flap upwards Wall unit 64/64, 1-door with accent, RH version

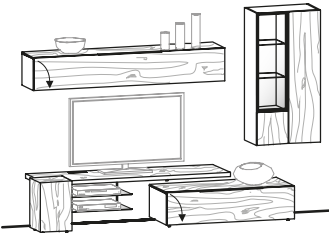
<p>Suggestion 168 W/D/H in cm: 272 / 55 / 194</p> 	Accent	optiwhite	anthracite	
	Article number as illustrated	AV168-O-L	AV168-A-L	
	Article number mirror-inverted	AV168-O-R	AV168-A-R	
	Surcharge for lighting with switch (A-LS3, A-LS19)			
	Surcharge for lighting with radio and dimmer (A-LF3, A-LF19)			
	Surcharge cable management (A-K)			
	Suggestion (illustrated) consisting of:	1x ALH19T 1x AHE64-L 1x AWB19	Lowboard 192/66, 2 doors, centre 2 drawers + open Wall unit 64/128, 1-door, door mounted on left Wall shelf 192 with glass shelf	

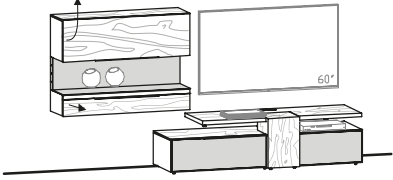
<p>Suggestion 175 W/D/H in cm: 272 / 58,3 / 193,8</p> 	Accent	optiwhite	anthracite
	Article number as illustrated	AV175-O-L	AV175-A-L
	Article number mirror-inverted	AV175-O-R	AV175-A-R
	Surcharge for lighting with switch (A-LS16, A-LSWPV)		
	Surcharge for lighting with radio and dimmer (A-LF16, A-LFWPV)		
	Surcharge drawer 64 instead of flap (A-S64)		
	Surcharge drawer 128 instead of flap (A-S128)		
	Surcharge cube with door (A-T)		
	Suggestion (illustrated) consisting of:	1x AMB22A-R 1x AWPV-R	Mediabord 224, 2 accent flaps, RH version Add-on glass cabinet 112, directed for lowboard, RH version

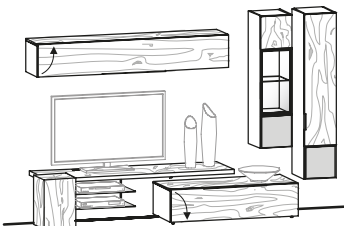
Suggestion 178 W/D/H in cm: 274 / 58,3 / 164 	Accent	anthracite	optiwhite
	Article number as illustrated	AV178-A-L	AV178-O-L
	Article number mirror-inverted	AV178-A-R	AV178-O-R
	Surcharge for lighting with radio and dimmer (A-LF3)		
	Surcharge for lighting with switch (A-LS3)		
	Surcharge drawer 64 instead of flap (A-S64)		
	Surcharge drawer 128 instead of flap (A-S128)		
	Surcharge cable management (A-K)		
	Suggestion (illustrated) consisting of:	1x AL22S-L 1x AHE80V-R	Lowboard 224/50 with stone cube, 2 flaps, 1 drawer, LH version wall unit 80/96, 2 doors, glass display, RH version

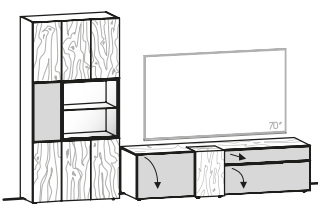
Suggestion 182 W/D/H in cm: 287 / 55 / 194 	Accent	optiwhite	anthracite	
	Article number as illustrated	AV182-O-L	AV182-A-L	
	Article number mirror-inverted	AV182-O-R	AV182-A-R	
	Surcharge for lighting with switch (A-LS3)			
	Surcharge for lighting with radio and dimmer (A-LF3)			
	Surcharge drawer 128 instead of flap (A-S12)*			
	Surcharge cable management (A-K)			
	Suggestion (illustrated) consisting of:	1x ALH19A-R 1x AHE36-L 1x AHE36G-L	Lowboard 192/66, 1 accent door, 2 flaps, RH version Wall unit 32/160, 1-door wood with accent, door mounted on left Wall unit 32/160, 1-door, with accent, door mounted on left	

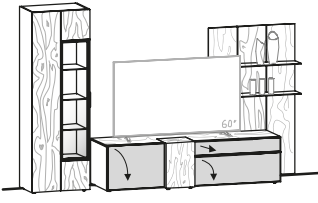
Suggestion 224 W/D/H in cm: 288 / 56,7 / 194 	Accent	optiwhite	anthracite
	Article number as illustrated	AV224-O-L	AV224-A-L
	Article number mirror-inverted	AV224-O-R	AV224-A-R
	Surcharge for lighting with switch (A-LS3, A-LS19)		
	Surcharge for lighting with radio and dimmer (A-LF3, A-LF19)		
	Surcharge drawer 128 instead of flap (A-S12)		
	Surcharge cable management (A-K)		
	Surcharge cube with door (A-T)		
	Suggestion (illustrated) consisting of:	1x AL19A-L 1x AM19-L 1x AHE64-R 1x AWB19	Lowboard 192/34, accent drawer, wooden flap, LH version Media element 192, LH version Wall unit 64/128, 1-door, door mounted on right Wall shelf 192 with glass shelf

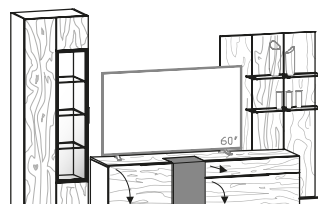
<p>Suggestion 252 W/D/H in cm: 288 / 55 / 200</p> 	Article number as illustrated	AV252-L	
	Article number mirror-inverted	AV252-R	
	Surcharge for lighting with switch (A-LS3, A-LS19)		
	Surcharge for lighting with radio and dimmer (A-LF3, A-LF19)		
	Surcharge drawer 128 instead of flap (A-S12)		
	Surcharge cable management (A-K)		
	Surcharge cube with door (A-T)		
	Suggestion (illustrated) consisting of:	1x AL12 1x AM19-L 1x AHU19 1x AHE64-R	Lowboard 128/34, 1 flap Media element 192, LH version Wall unit 192 with wooden flap downwards Wall unit 64/128, 1-door, door mounted on right

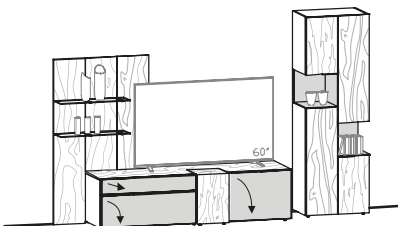
<p>Suggestion 259 W/D/H in cm: 295 / 58,3 / 152</p> 	Accent	optiwhite	anthracite
	Article number as illustrated	AV259-O-L	AV259-A-L
	Article number mirror-inverted	AV259-O-R	AV259-A-R
	Surcharge for lighting with switch (A-LS16, A-LSHE12)		
	Surcharge for lighting with radio and dimmer (A-LF16, A-LFHE12)		
	Surcharge drawer 64 instead of flap (A-S64)		
	Surcharge drawer 96 instead of flap (A-S96)		
	Surcharge cube with door (A-T)		
	Surcharge for variable office layout (A-VO)		
Suggestion (illustrated) consisting of:	1x AMB19A-R 1x AHE12	Mediabord 192, 2 accent flaps, RH version Wall unit 128/93, 1 high-lift flap, 1 drawer	

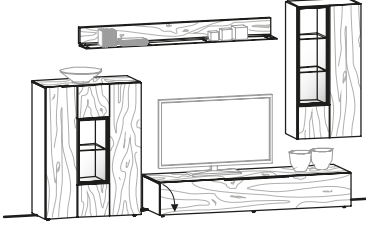
<p>Suggestion 280 W/D/H in cm: 300 / 56,7 / 194</p> 	Accent	optiwhite	anthracite
	Article number as illustrated	AV280-O-L	AV280-A-L
	Article number mirror-inverted	AV280-O-R	AV280-A-R
	Surcharge for lighting with switch (A-LS2, A-LS19)		
	Surcharge for lighting with radio and dimmer (A-LF2, A-LF19)		
	Surcharge drawer 128 instead of flap (A-S12)		
	Surcharge cable management (A-K)		
	Surcharge cube with door (A-T)		
	Suggestion (illustrated) consisting of:	1x AL12 1x AM19-L 1x AHO19 1x AHE32G-R 1x AHE36-R	Lowboard 128/34, 1 flap Media element 192, LH version Wall unit 192 with wooden flap upwards Wall unit 32/128, 1-door, with accent, door mounted on right Wall unit 32/160, 1-door wood with accent, door mounted on right

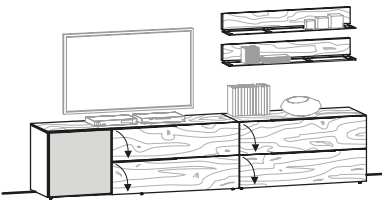
Suggestion 281 W/D/H in cm: 303 / 58,3 / 194 	Accent	anthracite	optiwhite
	Article number as illustrated	AV281-A-L	AV281-O-L
	Article number mirror-inverted	AV281-A-R	AV281-O-R
	Surcharge for lighting with switch (A-LS2)		
	Surcharge for lighting with radio and dimmer (A-LF2)		
	Surcharge drawer 64 instead of flap (A-S64)		
	Surcharge drawer 96 instead of flap (A-S96)		
	Surcharge cable management (A-K)		
	Surcharge cube with door (A-T)		
	Suggestion (illustrated) consisting of: 1x AL19KA-L Lowboard 192/50, 2 flaps, 1 drawer, accent, LH version 1x AV96A-R Display cabinet 96 with accent, 2-door, RH version		

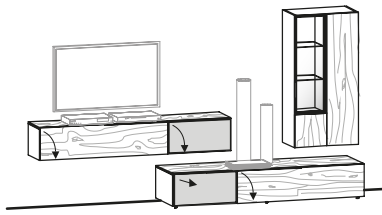
Suggestion 283 W/D/H in cm: 303 / 58,3 / 194 	Accent	anthracite	optiwhite
	Article number as illustrated	AV283-A-L	AV283-O-L
	Article number mirror-inverted	AV283-A-R	AV283-O-R
	Surcharge for lighting with radio and dimmer (A-LF4, A-LFWP4)		
	Surcharge for lighting with switch (A-LS4, A-LSWP4)		
	Surcharge drawer 64 instead of flap (A-S64)		
	Surcharge drawer 96 instead of flap (A-S96)		
	Surcharge cable management (A-K)		
	Surcharge cube with door (A-T)		
	Suggestion (illustrated) consisting of: 1x AL19KA-L Lowboard 192/50, 2 flaps, 1 drawer, accent, LH version 1x AV64G-L Glass cabinet 64, 1-door, door mounted on left 1x AWP4-L Wall panel 96/160 with slotting, 2 glass shelves, LH version		

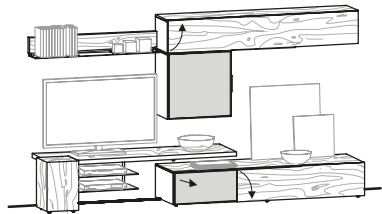
Suggestion 287 W/D/H in cm: 304 / 58,3 / 194 	Article number as illustrated	AV287-L		
	Article number mirror-inverted	AV287-R		
	Surcharge for lighting with switch (A-LS4, A-LSWP4)			
	Surcharge for lighting with radio and dimmer (A-LF4, A-LFWP4)			
	Surcharge drawer 64 instead of flap (A-S64)			
	Surcharge drawer 96 instead of flap (A-S96)			
	Surcharge cable management (A-K)			
	Suggestion (illustrated) consisting of: 1x AL19S-L Lowboard 192/50 with stone cube, 2 flaps, 1 drawer, LH version 1x AV64G-L Glass cabinet 64, 1-door, door mounted on left 1x AWP4-L Wall panel 96/160 with slotting, 2 glass shelves, LH version			

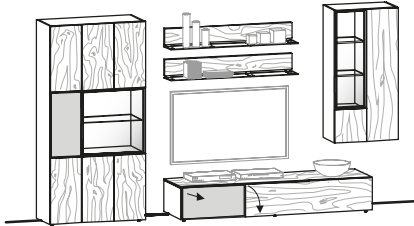
<p>Suggestion 298 W/D/H in cm: 306 / 58,3 / 194</p> 	Accent	optiwhite	anthracite
	Article number as illustrated	AV298-O-L	AV298-A-L
	Article number mirror-inverted	AV298-O-R	AV298-A-R
	Surcharge for lighting with switch (A-LS2S, A-LSWP4)		
	Surcharge for lighting with radio and dimmer (A-LF2S, A-LFWP4)		
	Surcharge drawer 64 instead of flap (A-S64)		
	Surcharge drawer 96 instead of flap (A-S96)		
	Surcharge cable management (A-K)		
	Surcharge cube with door (A-T)		
	<p>Suggestion (illustrated) consisting of: 1x AL19KA-R Lowboard 192/50, 2 flaps, 1 drawer, accent, RH version 1x AV64A-R Display cabinet 64, 2 doors, accent niche, RH version 1x AWP4-R Wall panel 96/160 with slotting, 2 glass shelves, RH version</p>		

<p>Suggestion 308 W/D/H in cm: 319 / 55 / 194</p> 	Article number as illustrated	AV308-L	
	Article number mirror-inverted	AV308-R	
	Surcharge for lighting with switch (A-LS2, A-LS3, A-LS19)		
	Surcharge for lighting with radio and dimmer (A-LF2, A-LF3, A-LF19)		
	Surcharge double drawer ad of flap (A-S19)		
	Surcharge cable management (A-K)		
	<p>Suggestion (illustrated) consisting of: 1x AH96G Highboard 96, 2-door with glass display section 1x AL19 Lowboard 192/34, 1 flap 1x AHE64-R Wall unit 64/128, 1-door, door mounted on right 1x AWB19 Wall shelf 192 with glass shelf</p>		

<p>Suggestion 336 W/D/H in cm: 320 / 55 / 163</p> 	Accent	optiwhite	anthracite	
	Article number as illustrated	AV336-O-L	AV336-A-L	
	Article number mirror-inverted	AV336-O-R	AV336-A-R	
	Surcharge for lighting with switch (2x A-LS12)			
	Surcharge for lighting with radio and dimmer (2x A-LF12)			
	Surcharge drawer 128 instead of flap (A-S12)*			
	Surcharge cable management (A-K)			
	<p>Suggestion (illustrated) consisting of: 1x ALH19A-L Lowboard 192/66, 1 accent door, 2 flaps, LH version 1x ALH12 Lowboard 128/66, 2 flaps 1x AWB12 Wall shelf 128 with glass shelf 1x AWB12 Wall shelf 128 with glass shelf</p>			

Suggestion 434 W/D/H in cm: 320 / 55 / 178 	Accent	optiwhite	anthracite
	Article number as illustrated	AV434-O-L	AV434-A-L
	Article number mirror-inverted	AV434-O-R	AV434-A-R
	Surcharge for lighting with switch (A-LS3, A-LS19)		
	Surcharge for lighting with radio and dimmer (A-LF3, A-LF19)		
	Surcharge drawer 128 instead of flap (A-S12)		
	Surcharge cable management (A-K)		
	Surcharge for cable hole (A-D)		
	Suggestion (illustrated) consisting of:	1x AL19A-L Lowboard 192/34, accent drawer, wooden flap, LH version 1x AHU19A-R Wall unit 192, 2 flaps downwards, RH version 1x AHE64-R Wall unit 64/128, 1-door, door mounted on right	

Suggestion 448 W/D/H in cm: 320 / 56,7 / 178 	Accent	optiwhite	anthracite
	Article number as illustrated	AV448-O-L	AV448-A-L
	Article number mirror-inverted	AV448-O-R	AV448-A-R
	Surcharge for lighting with switch (A-LS19, A-LS12)		
	Surcharge for lighting with radio and dimmer (A-LF19, A-LF12)		
	Surcharge drawer 128 instead of flap (A-S12)		
	Surcharge cable management (A-K)		
	Surcharge cube with door (A-T)		
	Suggestion (illustrated) consisting of:	1x AL19A-L Lowboard 192/34, accent drawer, wooden flap, LH version 1x AM19-L Media element 192, LH version 1x AHE66A-L Wall unit 64/64, 1-door with accent, LH version 1x AHO19 Wall unit 192 with wooden flap upwards 1x AWB12 Wall shelf 128 with glass shelf	

Suggestion 518 W/D/H in cm: 352 / 55 / 194 	Accent	optiwhite	anthracite
	Article number as illustrated	AV518-O-L	AV518-A-L
	Article number mirror-inverted	AV518-O-R	AV518-A-R
	Surcharge for lighting with switch (A-LS2, A-LS3, 2x A-LS12)		
	Surcharge for lighting with radio and dimmer (A-LF2, A-LF3, 2x A-LF12)		
	Surcharge drawer 128 instead of flap (A-S12)		
	Surcharge cable management (A-K)		
	Suggestion (illustrated) consisting of:	1x AV96A-R Display cabinet 96 with accent, 2-door, RH version 1x AL19A-L Lowboard 192/34, accent drawer, wooden flap, LH version 1x AHE64-R Wall unit 64/128, 1-door, door mounted on right 1x AWB12 Wall shelf 128 with glass shelf 1x AWB12 Wall shelf 128 with glass shelf	

GENERAL CONDITIONS OF SALE

1. General

1.1. The following terms of sale and delivery, hereinafter referred to as "GTC", apply to all business relationships (such as purchase contracts, work contracts, planning orders etc.) between VOGLAUER Gschwandtner & Zwilling GmbH, Voglauer hotel concept business division, hereinafter referred to as "VOGLAUER", and customers. By placing an order or entering into a contract with VOGLAUER, the customer accepts these as binding. Deviations, contradictions or supplementary general terms and conditions will not be binding on this contract, even when they are known about at the time, unless they are expressly agreed in writing. If conditions which deviate from these GTC are agreed in writing, these additional considerations shall apply.

1.2. VOGLAUER generally only enters into contracts with companies, which is why the GTC were designed for legal transactions between companies. If, in exceptional cases, they are also used as a basis for legal transactions with consumers, they shall only apply insofar as they do not violate mandatory provisions of consumer protection law.

2. Offers, prices

2.1. All prices quoted by VOGLAUER in offers and price lists are subject to change and are net prices, unless it is expressly stated that statutory value added tax is included. Value added tax shall be charged separately in accordance with the statutory provisions applicable on the day of delivery or performance. VOGLAUER reserves the right to make technical and other reasonable changes. If a customer's order does not contain any price information, VOGLAUER's price lists applicable on the day the order is received shall apply to this order.

2.2. Export deliveries are generally charged in euros and must also be paid in euros. If another currency is expressly agreed, VOGLAUER will invoice on the basis of the exchange rate to the Euro on the day that the order is confirmed. The rates calculated by the Austrian banks are applied for this purpose.

2.3. Export deliveries are generally charged in Euro and are also payable in Euro. If another currency has been explicitly agreed, VOGLAUER will invoice on the basis of the Euro exchange rate of the day on which the order has been confirmed. The price calculation of the Austrian National Bank (ONB) (published on: <https://www.onb.at/zinssatzwechselkurse/>) is the only relevant calculation.

3. Order acceptance, order basis

3.1. If an order is placed with VOGLAUER, a contract is only entered into when VOGLAUER confirms the order in writing or delivers the goods or sends the invoice. The customer is obliged to provide all required documents completely and correctly when placing the order. Any additional costs due to discrepancies between the actual circumstances and the documents or plans provided by the customer as well as additional costs due to late delivery of the documents are to be borne by the customer. Changes may only be made to the order after acceptance by mutual agreement and in writing.

3.2. If at the time of the order being placed, the ordered goods are not fully specified in detail (especially their technical design), a preliminary order confirmation will be issued. The customer is obliged to provide sufficient details of the order in a timely manner (notification of actual measurements) to ensure that agreed delivery times can be met. Upon the provision of details a final order acknowledgement is issued by which the subject matter of the contract becomes binding, unless the customer expressly immediately dissent in writing. Should this happen, the delivery contract remains valid, in accordance with the preliminary order confirmation. If an order is changed after a preliminary order confirmation, prices will be adjusted in accordance with a preceding cost estimate if need be.

4. Shipping, delivery

4.1. Unless otherwise agreed, the delivery of goods is free of charge. The goods are unloaded from the arriving means of transport and made available to the contracting party at the place designated for unloading, i.e. either in the loading dock or consignment area. Transport insurance shall only be arranged at the customer's explicit request. Any resulting costs shall solely be borne by the customer. If not specified otherwise in writing, the risk of price is passed to the customer upon the dispatch of the goods, in the event of a delay in acceptance caused by the customer, after VOGLAUER's notification of readiness of dispatch.

4.2. The selection of the place of delivery and of the route and means of transport is made by VOGLAUER, in the absence of any written agreement to the contrary, to the best of their judgment, and without liability for the cheapest and fastest transport. Specified delivery times are not binding, unless otherwise expressly agreed in writing.

4.3. The agreed delivery period will generally commence on the day of the order confirmation. If at this moment in time (starting point of the period) the documentation required for production, such as in particular actual measurements, has not been made available to VOGLAUER, the course of the delivery period shall commence on the day where the final documentation required for production has been received by VOGLAUER. The customer is obliged to transmit such documentation promptly. Delivery dates (delivery deadlines) shall be extended by installation delays not caused by VOGLAUER. Should the customer have to make an advance payment, then the delivery period shall not start before the day before the advance payment has been received.

4.4. Should the customer be in delay of acceptance of the delivery item – even if not at fault himself – VOGLAUER has the right to raise the usual storage charge; in addition, VOGLAUER is entitled to withdraw from the delivery contract and the customer is obliged to pay the difference between the agreed price and the expected revenue from the realisation of the deliverable goods. In cases where installation is part of the agreement, the customer is obliged to accept the contractual items after completion of the installation after a site inspection of the contractual goods. The provisions on creditor default apply where acceptance is refused.

4.5. Should VOGLAUER fail to meet delivery dates by more than 3 weeks, customers have the right to withdraw from the contract after a reasonable period of grace has been set. Should the delivery period be exceeded due to operational reasons which are beyond the control of VOGLAUER even when exercising the diligence of a prudent business management (in particular strikes, operational breakdowns, shortage of raw materials, but also cases of force majeure such as epidemics and epidemics leading to plant closures ("lockdown" etc.), the customer is only entitled to withdraw from the contract when the delivery period of 2 months is exceeded and an appropriate grace period is granted.

4.6. To ensure an efficient and reasonable delivery to the contracting party by VOGLAUER, the parties shall agree that for delivery and unloading the standards for unloading, as issued by the Future Institute Furniture Logistics (ZIMLOG) in their current version, shall apply. These are available for downloading online under www.dcc-moebel.org/zimlog.html or can be sent in text form to the contracting party on request.

4.7. VOGLAUER is entitled to deliver in excess or below the contracted quantity. In the case of a delivery carried out to the extent as described above, the contracting party is not entitled to refuse acceptance.

4.8. If in individual cases, a contractual penalty has been agreed between the supplier and the contracting party, this can only be enforced if upon accepting the goods the contracting party has expressed their reservation in writing.

4.9. A contractual penalty provision must be sent directly to VOGLAUER. VOGLAUER's employees, drivers or any other third parties are not entitled to accept any contractual penalty provision.

5. Withdrawal from contract

5.1. If the customer does not fulfil their contractual obligations or does not meet them in full, VOGLAUER is entitled to withdraw from the contract. The right to withdraw from the contract can also be exercised with regard to a part of the delivery item. In such a case VOGLAUER is obliged to deliver the part of the delivery item not affected by the withdrawal and the customer is obliged to pay for this part.

5.2. If VOGLAUER exercises its right of withdrawal for reasons for which the customer is responsible, even if the customer is not at fault, or if the customer withdraws from the contract without being entitled to do so, the customer must pay for the advance services corresponding to the proportionate order value which have already been rendered within the scope of contract performance (e.g. planning services, procurement of materials, special services, work expenses and the like). VOGLAUER is entitled to claim a lump sum for preliminary work calculated at 25% of the order value without having to provide specific proof of individual services rendered. The costs of custom-made products already produced are to be fully

reimbursed less assembly and delivery costs.

6. Assembly

6.1. The customer must ensure that installation can be carried out without delay; in particular that the fitters are not impeded by other trespassers. Furthermore, the rooms to be furnished in the assembly area must be kept ready, heated if necessary, cleaned, sufficiently illuminated and provided with an electrical connection. The costs for electricity and water consumption shall be borne by the customer. Carpets must be made non-slip by the customer and adequately covered to protect against dirt and damage.

6.2. If, in the course of installation, mounting is required on fixtures belonging to the customer or third parties (e.g. fastening to the masonry by drilling or mortising), the customer is obliged to draw VOGLAUER's attention to potential hazards before commencing work, in particular the exact course of electricity, gas, water and other pipeline systems must be pointed out.

6.3. VOGLAUER is not obliged to examine the properties of the walls or objects to which fixings are to be made during installation. However, the customer is obliged to inform VOGLAUER about properties of the walls or objects which could compromise a straightforward and problem-free installation. Any additional costs arising from unexpected properties of the walls or objects shall be borne by the customer.

6.4. Additional costs for overtime and installation delays caused by the customer as well as work not included in the order confirmation or work resulting from defective stock will be charged separately. Fine cleaning of the premises after assembly is to be carried out by the customer at their own expense. Unless otherwise agreed in the contract, the installation services offered by VOGLAUER do not include the installation and connection of any types of electrical appliances or lighting fixtures. Unless otherwise agreed, this work shall be commissioned separately by the customer at their own expense to be carried out by an appropriately authorised contractor. Packaging material must be disposed of by the customer at their own expense.

6.5. VOGLAUER is not obliged to examine the properties of walls or objects to which fixings are to be made during installation. However, the customer is obliged to inform VOGLAUER about properties of the walls or objects which could compromise a straightforward and trouble-free installation. Any additional costs arising from unexpected properties of walls or objects shall be borne by the customer.

6.6. Additional costs for overtime and installation delays caused by the customer as well as work not included in the order confirmation or work resulting from defective stock will be charged separately. This would also apply if VOGLAUER had offered fitting as a lump sum or for free as discount.

6.7. The fine cleaning of the premises after assembly is to be carried out by the customer at their own expense. Unless otherwise agreed in the contract, the installation services offered by VOGLAUER do not include the installation and connection of any type of electrical appliances or lighting fixtures. Unless otherwise agreed, this work shall be commissioned separately by the customer at their own expense to be carried out by an appropriately authorised contractor. Packaging material must be disposed of by the customer at their own expense.

7. Complaints

The customer is required to examine the goods delivered for any defects without undue delay, i.e. within eight calendar days at the latest. Incomplete or incorrect deliveries as well as immediately apparent defects must be reported to VOGLAUER in writing immediately after receipt of goods; defects or errors which are not immediately apparent must be notified as soon as they are discovered. The notification must clearly indicate the nature and extent of the alleged defect. If defects and errors are not notified promptly, the delivery shall be deemed to have been accepted and correct and no warranty claims may be made.

The customer fulfils his obligation to check and give notice of defects by checking the goods for visible quantitative or qualitative deviations using appropriate methods (please see following "Appropriate Testing Methods"). Appropriate testing methods are the following, although this is not an exhaustive list: (i) the checking of the delivered quantity of goods, (ii) the visual inspection of the packaging and (iii) the inspection of visible damages caused by transport or other matters. Obvious defects shall be notified by the contracting party within a period of two working days. The timely dispatch of the notice of defects shall suffice to comply with this deadline. Each notice of defects shall only be effective when provided in writing.

8. Warranty

VOGLAUER guarantees the delivered goods for a period of one year from the date of delivery. The warranty period for electrical appliances and lighting supplied by VOGLAUER is six months.

Warranty claims shall be subject to the customer complying with their duties of inspection and notification of defects. Should a customer fail in his duty to inspect and/or fail to meet the notification deadline, VOGLAUER's liability shall be excluded for defects not notified as above.

In cases of justified and timely notification of defects, VOGLAUER will, reasonably taking into account customer's interests, provide warranty by improvement, price reduction or replacement (exchange) or take back the goods refunding the purchase price. VOGLAUER reserves the right to choose the respective warranty remedy. If VOGLAUER does not fulfil their warranty obligations within a reasonable period of time, the customer is entitled to a reasonable price reduction or to withdraw from the contract. Activities undertaken by VOGLAUER resulting from unjustified notifications of defects shall be considered as a contractual service for which the customer has to pay.

In particular, the warranty does not apply;

- in the case of goods provided by the customer;
- in the case of damages resulting from structural defects (e.g. masonry, building moisture, building defects (e.g. defective masonry, building moisture, building defects, etc.);
- in the case of compatibility of the materials used by VOGLAUER with other parts and properties of the room to be furnished, e.g. externally provided furnishings, light colours, heating and the like;
- in the case of deformation and cracking of solid wood used;
- to the function of the delivered item and the suitability of the material used if the construction was designed by the customer or their authorised representative (e.g. architect);
- in the case of slight variations in the colours and surface or veneer structure of individual items delivered;
- the facts included in the VOGLAUER Furniture Quality Pass or the VOGLAUER manufacturer warranty declaration.

9. Disclaimer

9.1. VOGLAUER is only liable for damages outside the scope of application of the Product Liability Act if VOGLAUER is guilty of intent or gross negligence. Liability for slight negligence is excluded as well as compensation for consequential damage and financial loss, loss of profit, loss of interest and damage from third-party claims against the customer.

9.2. Within the scope of application of the Product Liability Act, VOGLAUER is liable for personal injury as well as for material damage suffered by a consumer. VOGLAUER is not liable for material damage suffered by a person in business. Furthermore, § 924 sentence 2 of the Austrian Civil Code (ABGB) and the recourse of the customer according to § 933b of the Austrian Civil Code (ABGB) is excluded. Claims for damages become statute-barred three years after delivery.

9.3. Furthermore, the contracting parties mutually waive all claims for damages insofar as these are covered by an insurance policy of the injured party. This waiver shall not apply to damages caused intentionally or through gross negligence or to the extent that the insurer would not be liable as a result of such waiver.

9.4. Locking devices and safes supplied by VOGLAUER do not constitute burglary and theft protection devices, so claims for damages in this respect are excluded. Any burglary and theft protection must therefore always be provided by the customer themselves at their own risk and expense and VOGLAUER accepts no liability for the contents locked in such devices.

10. Payment

10.1. Invoices for deliveries of goods shall be paid in accordance with the respective agreements made. Unless otherwise agreed, the customer shall pay one third

of the amount stated in the order confirmation as a down-payment promptly after placing the order, one third 2 weeks before delivery readiness and the remaining amount from the supply contract immediately after invoicing, in all cases without deduction. Unless different payment terms have been agreed in writing between the contracting parties, payments of the invoice amounts are due without deduction immediately upon receipt of the invoice. Bills of exchange or cheques shall only be accepted by specific written agreement as a means of payment. Discount and bill charges shall be borne by the customer and are due immediately. The customer acknowledges that VOGLAUER's sales representatives are not entitled to collect payments.

10.2. In the event of default in payment, it is agreed that default interest in the amount of 9.2% above the base interest rate shall be due. The customer may not offset any amounts due, unless with claims acknowledged by VOGLAUER in writing or legally established.

10.3. Should the customer no longer be able to engage in proper business operations, should enforcement proceedings be instigated, should a cheque or bill of exchange be protested, should payments be delayed or suspended, should the customer apply for judicial or extrajudicial rehabilitation proceedings or should insolvency proceedings be instituted, opened or an application for insolvency be rejected due to insufficient assets to recover costs, VOGLAUER is entitled to declare all claims arising from the business relationship immediately due and payable, even should bills of exchange or cheques be accepted or payment by instalments be granted. The same applies if the customer is in arrears with their payments or other circumstances become known which have an adverse effect on their creditworthiness.

10.4. The customer is not entitled to withhold payments due to alleged defects unless the defects and the amount of the amounts to be withheld have been acknowledged by VOGLAUER in writing or determined by court. The customer may not assign their claims against VOGLAUER to third parties and rights and obligations arising from contracts entered into may not be similarly assigned without prior written consent from VOGLAUER.

10.5. VOGLAUER is entitled to assign claims against the contracting party arising from deliveries or services to third parties (e.g. a bank or a factoring party) to the full extent permitted by applicable law. The contractual partner shall allow data to be forwarded to third parties for the purpose of the collection of the claims.

11. Retention of title

11.1. The delivered goods remain VOGLAUER's property until the customer has fully met their obligations, in particular payment of the purchase price including incidental costs and interest, fees, expenses, etc.

11.2. Deliveries performed for a specific construction project which are included in the same order form a single order, even when ordered, delivered and invoiced (partial invoice) in separate stages. In this case, the retention of title to all goods delivered for the respective construction project only expires when all claims from the uniform order are settled.

11.3. The customer may only resell goods delivered which are subject to retention of title if they are dedicated as commercial goods or if the retention of title has expired through payment or VOGLAUER expressly agrees. If the goods are resold, the customer assigns proceeds from the sale of the reserved goods to VOGLAUER. The customer is obliged to indicate the assignment by suitable entries in their accounting records and, at VOGLAUER's request, to disclose the names of the corresponding debtors as well as to specify the ceded claims in detail. Subject to this, VOGLAUER accepts the assignment. Any fees and/or taxes in connection with the assignment shall be borne by the customer and they shall indemnify and hold VOGLAUER harmless in this respect. VOGLAUER is entitled at any time to disclose the assignment and to collect the assigned claims itself.

11.4. The customer is obliged to keep the reserved goods insured to an adequate extent at all times against the usual risks such as natural hazards and to provide evidence of this to VOGLAUER upon request. The customer hereby assigns proceeds from possible insurance claims to VOGLAUER. Furthermore, the customer is obliged to store the goods in accordance with the instructions of VOGLAUER using state-of-the-art technology. Customers must handle the goods with due care and attention until the title is transferred to them.

11.5. VOGLAUER must be notified immediately of access by third parties to VOGLAUER's reserved property (seizure or description by way of pledge, other court and/or official orders). The customer must provide whatever support VOGLAUER may reasonably require in protecting VOGLAUER's rights in respect of the reserved property and to bear the associated costs, insofar as they are responsible for endangering VOGLAUER's reserved property.

11.6. In the event that the reserved goods are combined or mixed with other items, VOGLAUER shall be entitled to co-ownership of the new item in the ratio of the value of the reserved goods to the value of the other item at the time of combination or mixing. If the new item thus created is resold, the customer assigns the exact pro-rata purchase price from the resale to VOGLAUER in the sense of the above-mentioned stipulation.

12. Intellectual property

12.1. Trademarks, representations, as well as the associated drawings, plans and descriptions are VOGLAUER's intellectual property and may neither be reproduced nor made accessible to third parties without VOGLAUER's written consent.

13. Advertisement

13.1. It is agreed that objects furnished by VOGLAUER may be used by VOGLAUER for advertising purposes (reference lists, brochures, press releases, etc.) stating the name of the customer as well as using pictures of the furnished object. In this context, the customer grants VOGLAUER the right to take photographs of furnished objects.

14. Force majeure

14.1. Events of force majeure which affect VOGLAUER or one of its suppliers entitle VOGLAUER to suspend deliveries for the duration of the hindrance and a further reasonable start-up time without falling into arrears or withdrawing from the contract in whole or in part according to their effects.

Events of force majeure include, but are not limited to: all impacts of natural disasters, such as earthquakes, lightning, frost, storm, floods; in addition war, epidemics and epidemics, laws, official interventions (e.g. laws and regulations issued to prevent the spread of COVID-19 and the resulting restrictions "lockdown"), confiscation, transport disruptions, export, import and transit bans, international payment restrictions, loss of raw materials and energy; further, interruptions such as explosion, fire, strikes, sabotage; and all other events that could only be prevented at disproportionate cost and by economically unreasonable means.

15. Consent under data protection law

15.1. The customer expressly agrees that VOGLAUER may collect, process and use personal data provided by the customer, or which may be provided in the future, for marketing purposes e.g. by creating a customer file. This consent includes in particular the transmission of information for the purpose of advertising by fax, letter, email or any other method of transmission. This consent may be revoked by the customer at any time with future effect.

16. Final provisions

16.1. Austrian law shall apply with the exception of the conflict of legal provisions and the UN Convention on Contracts for the International Sale of Goods. The place of jurisdiction for all disputes arising directly or indirectly from the contract shall be the competent court in the provincial capital of Salzburg. The place of performance for delivery and payment is VOGLAUER's registered office.

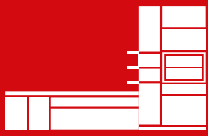
16.2. Should any of these terms and conditions be wholly or partially invalid, the validity of the remaining provisions shall not be affected. The wholly or partially invalid provision is to be replaced by whatever provision comes closest to the intended purpose of the invalid provision.

16.3. All amendments and supplements to contracts between VOGLAUER and the customer must be made in writing and this also applies to departures from the written requirement. All declarations on the part of VOGLAUER are only legally effective if they are made in writing and by employees of the VOGLAUER principal office in Abtenau, Austria.

Version released on 2 October 2020.



ALL VOGLAUER MODELS



LIVING / DINNING



V/alpin living



V/montanara living



V/rock living



V/tektura living



V/lacera living



SLEEPING



V/alpin sleeping



V/montanara sleeping



V/vaganto sleeping



V/lacera sleeping



HALL



V/alpin coming



V/montanara coming



V/rock coming



V/tektura coming



V/lacera coming



BATH



V/alpin bad



V/montanara bad



V/quell bad



V/lineos bad



V/lacera bad

